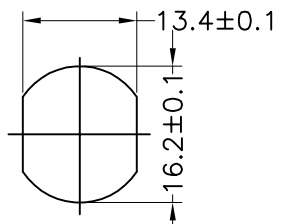
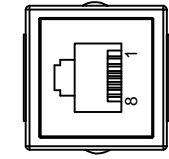
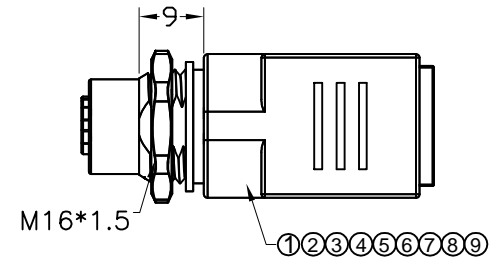
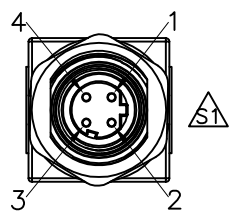


REV	DESCRIPTION	DATE	APPROVED
S0	CREATED DRAWING	2018/01/02	YMX
S1	FIXED GRAPHIC	2018/04/14	YMX



RECOMMENDED
PANEL CUT-OFF

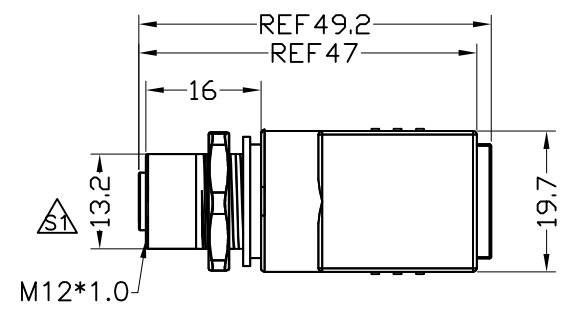
P1



P2

TESTING CONDITIONS:
 1. VOLTAGE: 300V DC/0.1S.
 2. INSULATION RESISTANCE: 10 Mohms min.
 3. CONDUCTIVE RESISTANCE: 5 Ohms max.
 4. 100% OPEN AND SHORT ELECTRICAL TEST.

*ALL MATERIALS ARE RoHS COMPLIANT.



WIRE LIST

	P1	COLOR	P2
1	ORANGE/WHITE		1
3	ORANGE		2
2	BLUE/WHITE		3
4	BLUE		6
SHELL	BLACK		SHELL

ITEM	PART NO.	SPECIFICATION	Q'TY	UNIT
⑨	OR00008	O-Ring GREEN FKM ϕ 13.0* ϕ 2.0mm	1	PCS
⑧	PL00007	HD PE	3	g
⑦	PL00004	BLACK TPU 105°	10	g
⑥	OR00012	O-Ring FKM ϕ 7.0* ϕ 1.5mm	1	PCS
⑤	NU00008	M16 BRASS PLATED NI NUT, L*W=2.8*19mm	1	PCS
④	WK00194	M12 FEMALE BRASS PLATED NI, FRONT MOUNT(M16*1.5)	1	PCS
③	N/A	M12 D CODING 4PIN FEMALE CONNECTOR	1	SET
②	CN00222	RJ45 8P8C STRAIGHT ANGLE WITH SHEILD	1	PCS
①	N/A	24AWG HOOK UP WIRE	1	PCS

SIGNAL[®]
Shenzhen Signal Electronics Co., LTD

DRAWN BY _____ DATE _____
 CHECKED BY _____ DATE _____
 APPROVED BY _____ DATE _____

THE INFORMATION CONTAINED IN THIS DRAWING IS THE SOLE PROPERTY OF SIGNAL COMPANY. ANY REPRODUCTION IN PART OR WHOLE WITHOUT THE WRITTEN PERMISSION OF SIGNAL COMPANY IS PROHIBITED.

TITLE		M12 D CODING 4P/F TO RJ45/F ADAPTER	
SGN NO	120404-10-004	REV.	
DWG NO		CUSTOMER	S1
TOLERANCES ARE:		THIRD ANGLE PROJECTION	
DECIMALES	ANGLES	SIZE: A4	UNITS: mm
.x \pm 0.50	x.* \pm 1.0°	SCALE:	SHEET: 1 OF 1
.xx \pm 0.20	.x' \pm 0.5°		