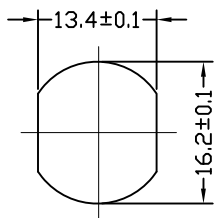
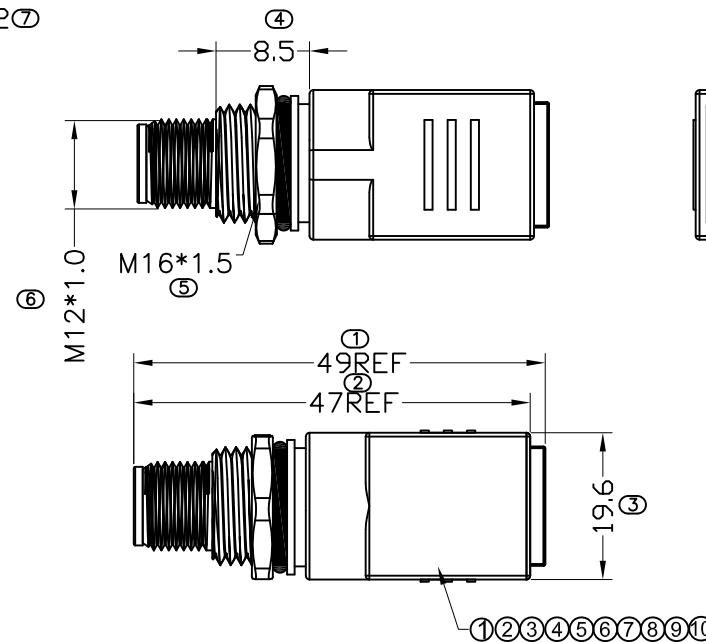
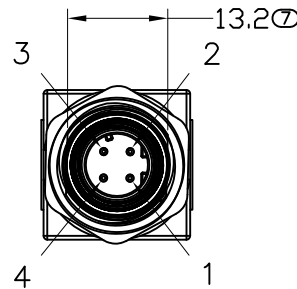


REV	DESCRIPTION	DATE	APPROVED
S0	CREATED DRAWING	2016/07/06	YMX



RECOMMENDED
PANEL CUT-OFF

P1



P2

Detailed Product Description:
Waterproof connector rating is IP67
They can not be used permanently under water.

Connector Electrical Characteristics:
Rating voltage: 250V AC/DC
Insulation resistance: >100MΩ
Rating current: 4A
Contact resistance of connector: ≤10mΩ

Mechanical Characteristics:
Mating/cycle: >500cycle
Operating temperature: -25°C ~ +85°C

*ALL MATERIALS ARE RoHS COMPLIANT.

WIRE LIST

P1	COLOR	P2
1	ORANGE/WHITE	1
3	BLUE/WHITE	2
2	ORANGE	3
4	BLUE	6
SHELL	BLACK	SHELL

ITEM	PART NO.	SPECIFICATION	Q'TY	UNIT
⑧	PL00007	HD PE	3	g
⑦	PL00004	BLACK TPU 105°	10	g
⑥	OR00008	O-RING GREEN FKM ϕ 13.0* ϕ 2.0mm	1	PCS
⑤	NU00008	M16 BRASS PLATED NI NUT, L*W=2.8*19mm	1	PCS
④	WK00195	M12 BRASS PLATED NI MALE SHELL	1	PCS
③	N/A	M12 D CODING 4PIN MALE CONNECTOR	1	SET
②	CN00222	RJ45 8P8C STRAIGHT ANGLE WITH SHEILD	1	PCS
①	N/A	24AWG HOOK UP WIRE	1	PCS

SIGNAL[®]
Shenzhen Signal Electronics Co., LTD

DRAWN BY	DATE
CHECKED BY	DATE
APPROVED BY	DATE

THE INFORMATION CONTAINED IN THIS DRAWING IS THE SOLE PROPERTY OF SIGNAL COMPANY.
ANY REPRODUCTION IN PART OR WHOLE WITHOUT THE WRITTEN PERMISSION OF SIGNAL COMPANY IS PROHIBITED.

TITLE M12 D CODING 4P/M TO RJ45/F 180° ADAPTER

SGN NO	120404-10-006	REV.	
DWG NO			
CUSTOMER			S0

TOLERANCES ARE:	THIRD ANGLE PROJECTION	
DECIMALES .x ±0.15	ANGLES x.' ±1.0'	SIZE: A4
.xx ±0.10	.x' ±0.5'	UNITS: mm
	SCALE:	SHEET: 1 OF 1