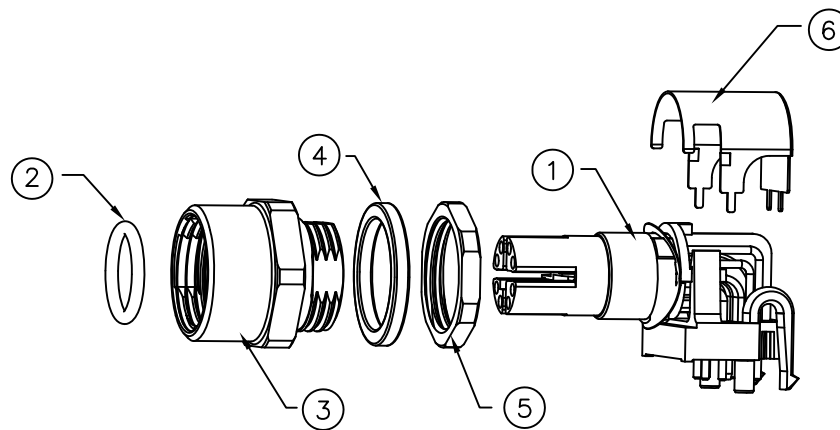
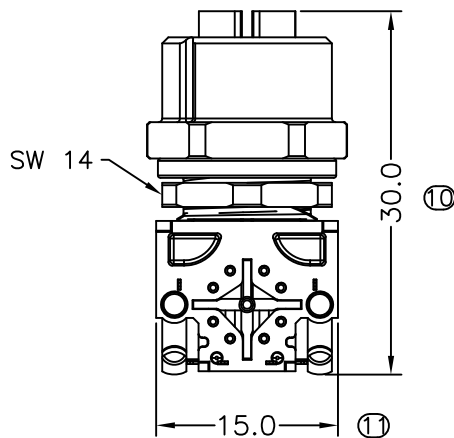
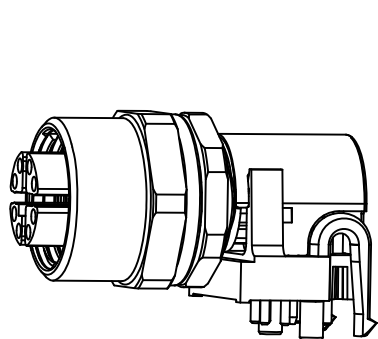
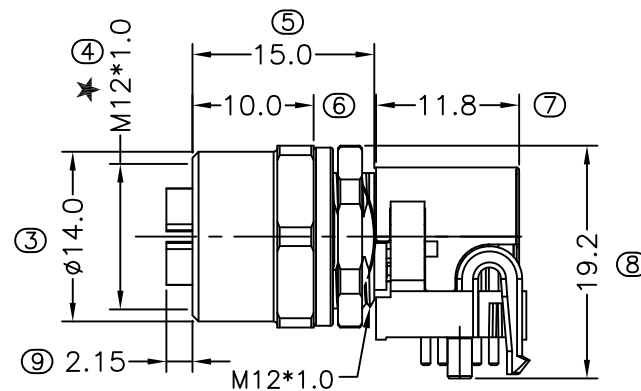
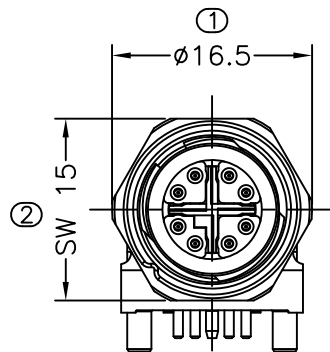
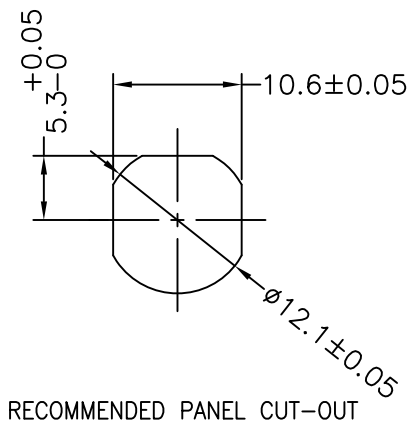


REV	DESCRIPTION	DATE	APPROVED
S0	CREATED DRAWING	2020/03/23	LXQ

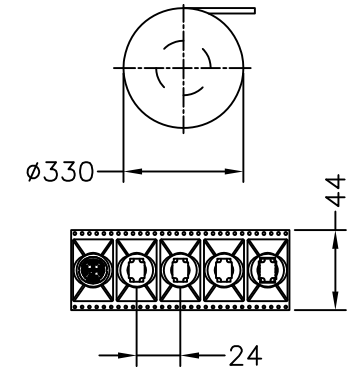
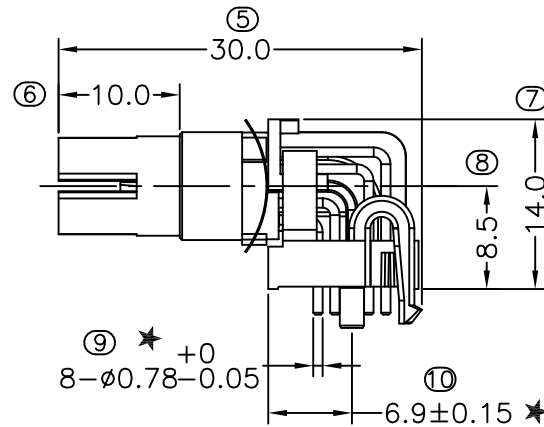
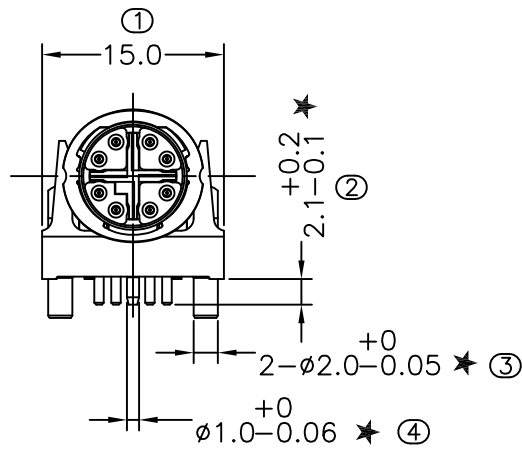


⑥	YDWK0423	M12 NICKY PLATED BRASS DUST CAP	1	PCS
⑤	YDNU0041	M12 METAL NUT $\phi 15.0 \times 2.0 \text{MM} (\text{SW}=14)$	1	PCS
④	YDOR0048	O-RING HNBR BLACK $\phi 11.5 \text{MM } T=1.6 \text{MM}$	1	PCS
③	YDWK0251	M12 FEMALE NICKY PLATED ZINC ALLOY SHELL(M12*1.0)	1	PCS
②	YDOR0049	O-RING HNBR BLACK $\phi 8.0 \times 1.3 \text{MM}$	1	PCS
①	N/A	M12 X CODING 8PIN FEMALE PCB CONNECTOR	1	SET
ITEM	PART NO.	SPECIFICATION	Q'TY	UNIT

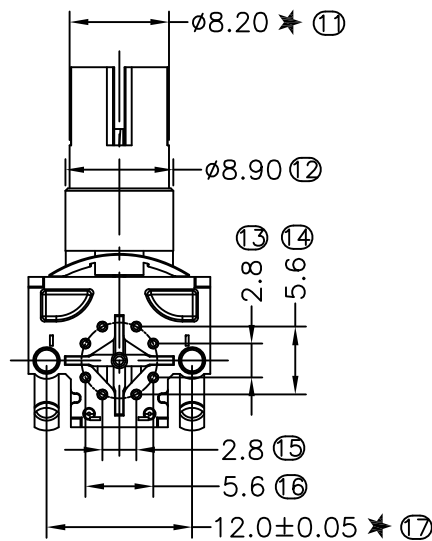
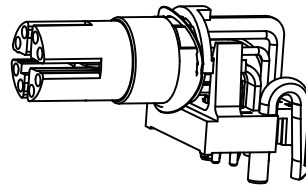
SIGNAL[®]
Shenzhen Signal Electronics Co., LTD

DRAWN BY		DATE		TITLE M12 X CODING 8PIN FEMALE PCB CONNECTOR	
CHECKED BY		DATE		SGN NO	120708-04-049
APPROVED BY		DATE		DWG NO	
<small>THE INFORMATION CONTAINED IN THIS DRAWING IS THE SOLE PROPERTY OF SIGNAL COMPANY. ANY REPRODUCTION IN PART OR WHOLE WITHOUT THE WRITTEN PERMISSION OF SIGNAL COMPANY IS PROHIBITED.</small>				TOLERANCES ARE:	
				DECIMALES	ANGLES
.x ± 0.5		x.' $\pm 2.0^\circ$		SIZE: A4	UNITS: mm
.xx ± 0.20		.x' $\pm 1.0^\circ$		SCALE:	SHEET: 1 OF 2

REV	DESCRIPTION	DATE	APPROVED
S0	CREATED DRAWING	2020/03/23	LXQ

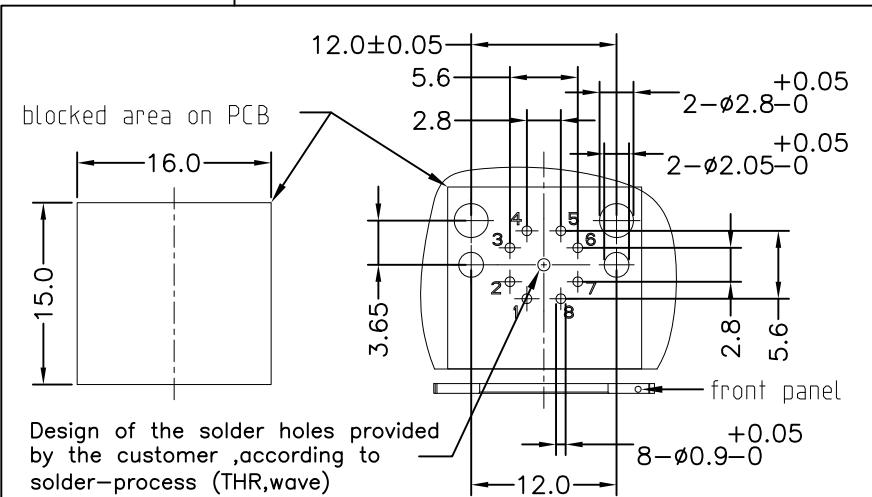


TAPE AND REEL WITH CAP/100 PCS



Detailed Product Description
 Connector electrical characteristics:
 Rating voltage: 50V a.c./60V d.c.
 Insulation resistance: >100MΩ
 Rating current: 0.5A
 Contact resistance of connector ≤5mΩ
 Mechanical characteristics:
 Mating/cycle: >100cycle
 Termination: SMT
 CODING: X
 PINS: 8
 Configuration: M12, female/stamped contacts
 Operating temperature: -40°C ~ +105°C

*ALL MATERIALS ARE RoHS COMPLIANT.



RECOMMENDED PCB LAYOUT



Shenzhen Signal Electronics Co., LTD

TITLE M12 X CODING 8PIN FEMALE PCB CONNECTOR

DRAWN BY

DATE

SGN NO 120708-04-049 REV.

CHECKED BY

DATE

DWG NO

APPROVED BY

DATE

CUSTOMER

SO

THE INFORMATION CONTAINED IN THIS DRAWING IS THE SOLE PROPERTY OF SIGNAL COMPANY. ANY REPRODUCTION IN PART OR WHOLE WITHOUT THE WRITTEN PERMISSION OF SIGNAL COMPANY IS PROHIBITED.

TOLERANCES ARE:
 DECIMALES ANGLES
 .x ±0.5 x.' ±2.0'
 .xx ±0.20 .x' ±1.0'
 THIRD ANGLE PROJECTION
 SIZE: A4 UNITS: mm
 SCALE: SHEET: 2 OF 2