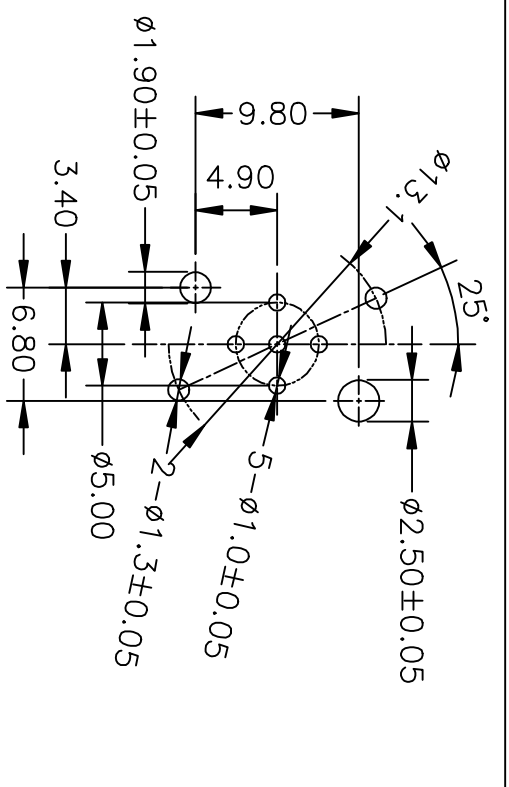
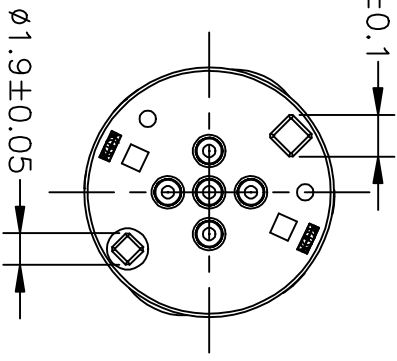
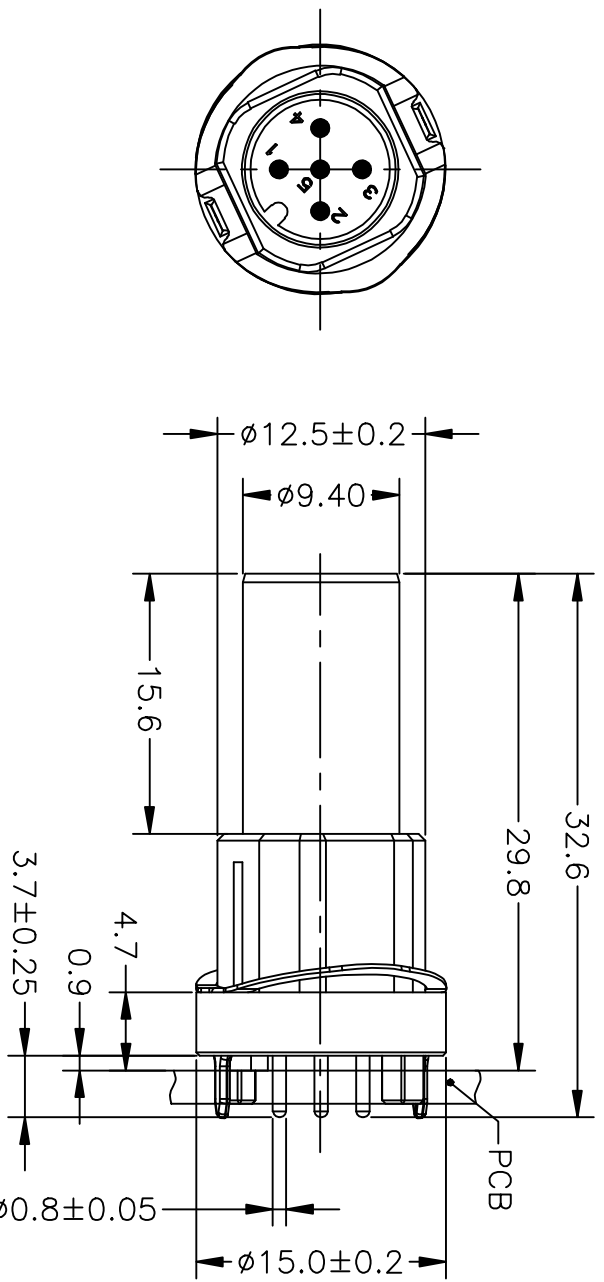
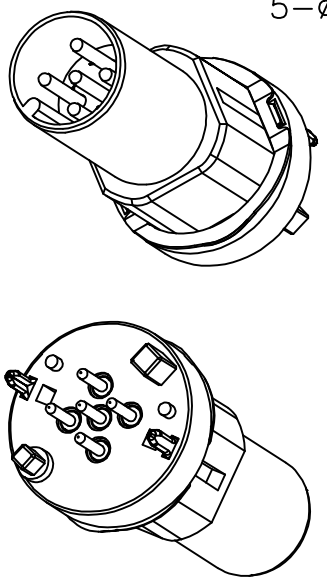



REV	DESCRIPTION	DATE	APPROVED
S0	CREATED DRAWING	2021/08/02	CRB



RECOMMENDED PCB LAYOUT
(GENERAL TOLERANCE: $\pm 0.05\text{mm}$)



 Shenzhen Signal Electronics co.,Ltd		TITLE	
		M12 A-CODING SPIN MALE PCB RECEPTACLE	
		SGN NO	120105-03-185
		DWG NO	SGNYD2108075-10
CHECKED BY	DATE	CUSTOMER	
APPROVED BY	DATE	TOLERANCES ARE:	THIRD ANGLE
		DECIMALS	PROJECTION
		° ± 0.5	SIZE: A4
		° ± 2.0	UNITS: mm
		° ± 1.0	SCALE: 1:1
			SHEET: 2 OF 2