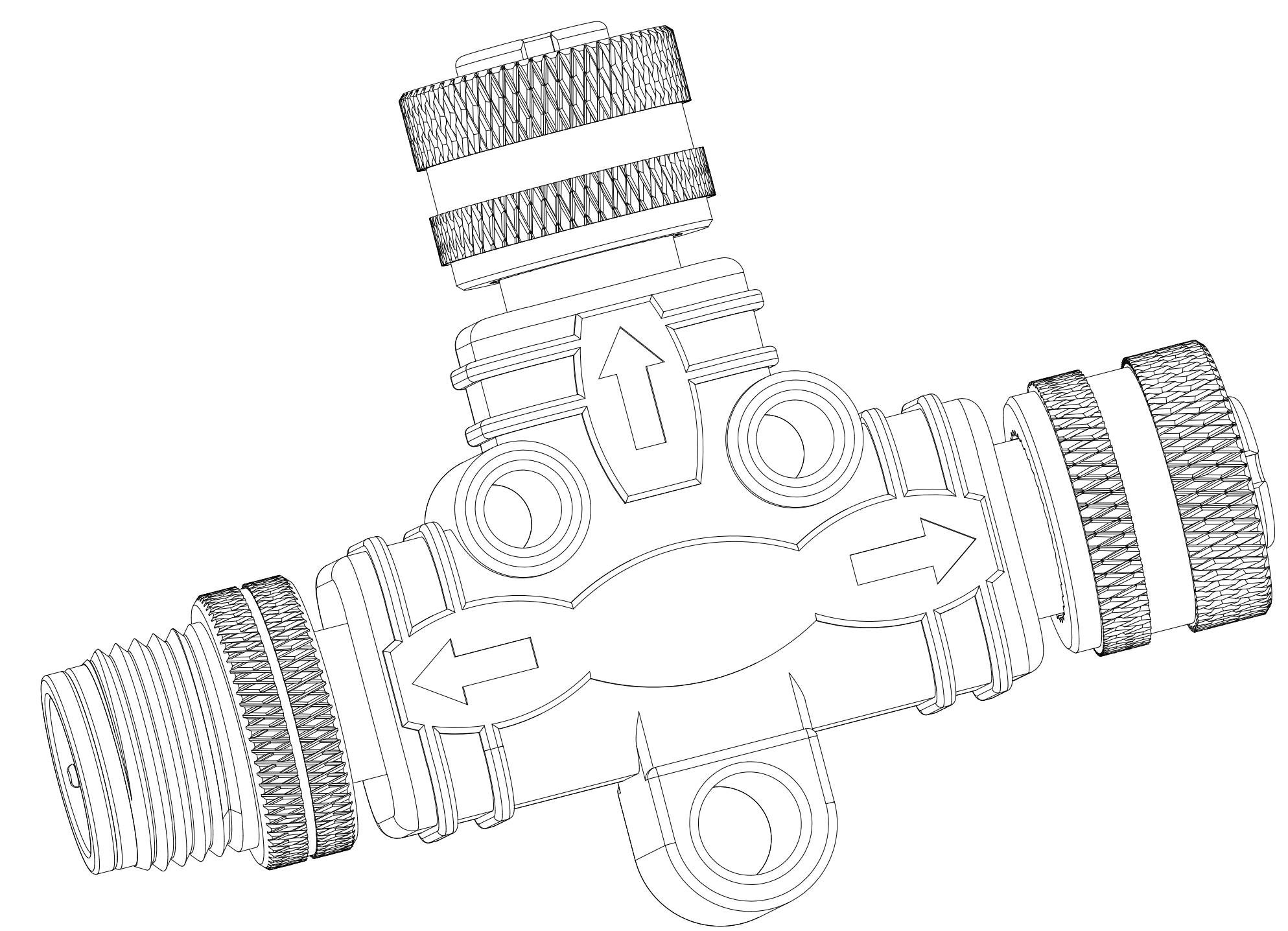


REV	DESCRIPTION	DATE	APPROVED
S0	CREATED DRAWING	2017/11/22	YMX

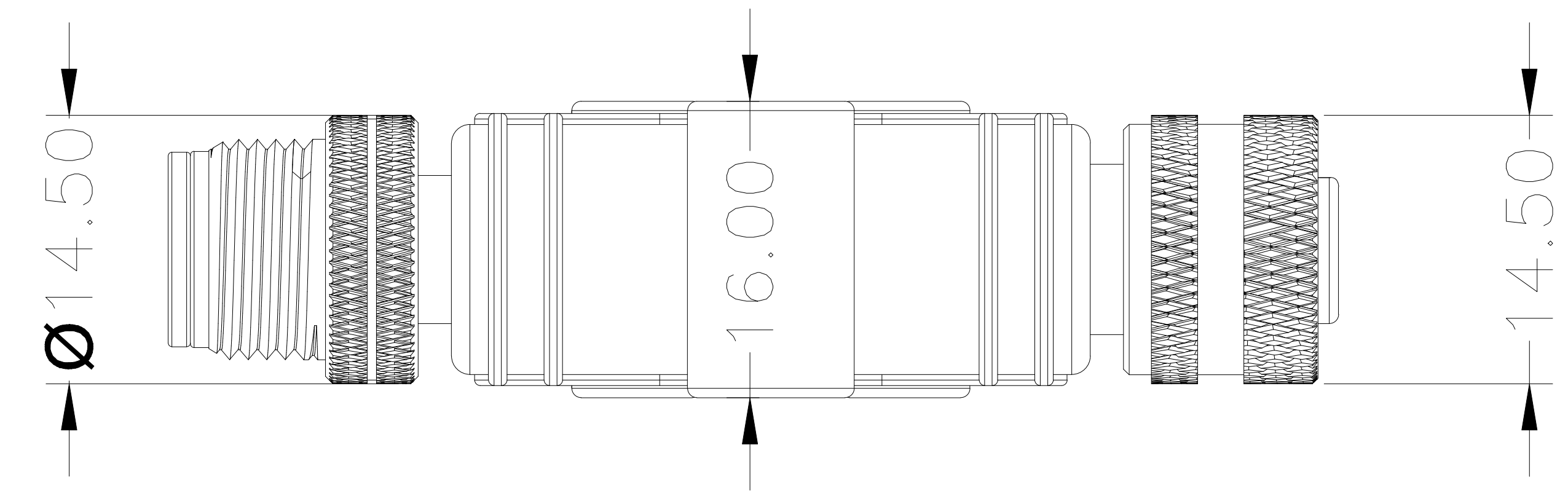
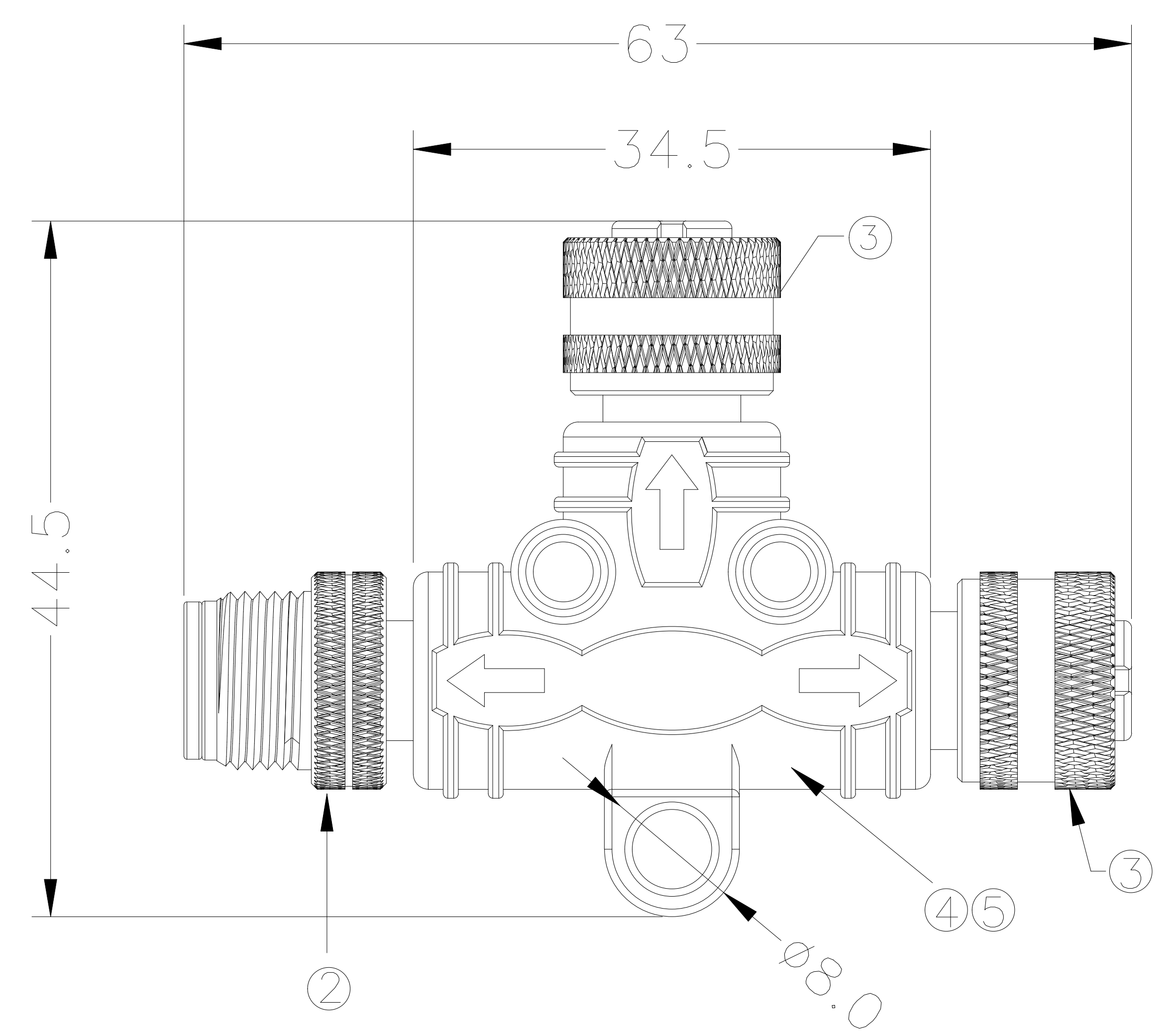
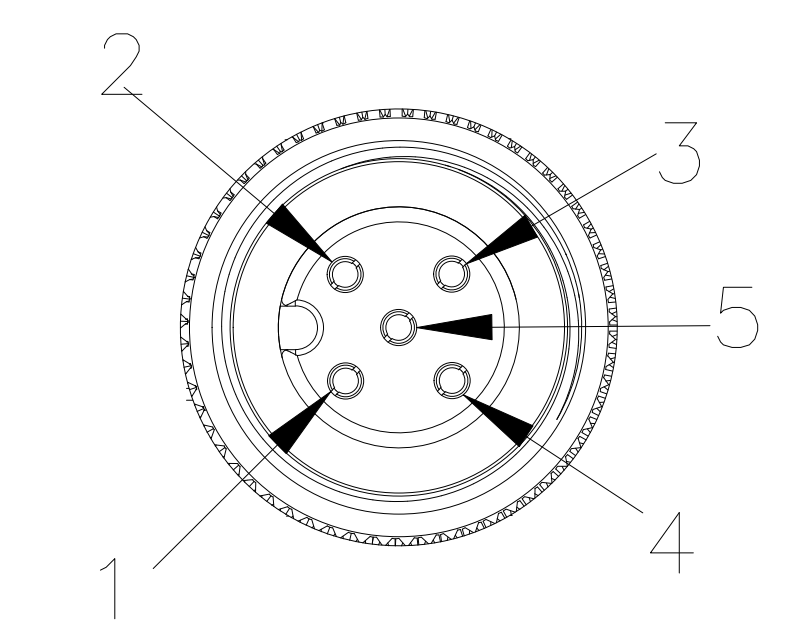
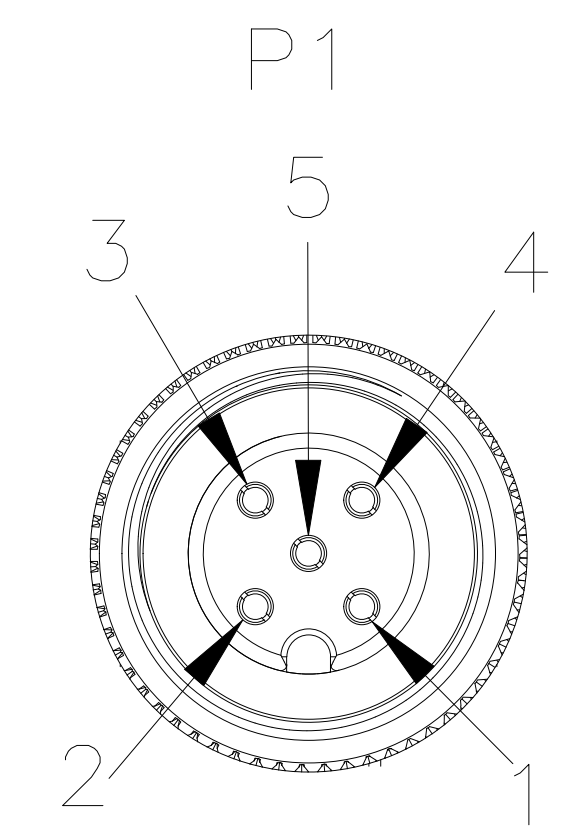
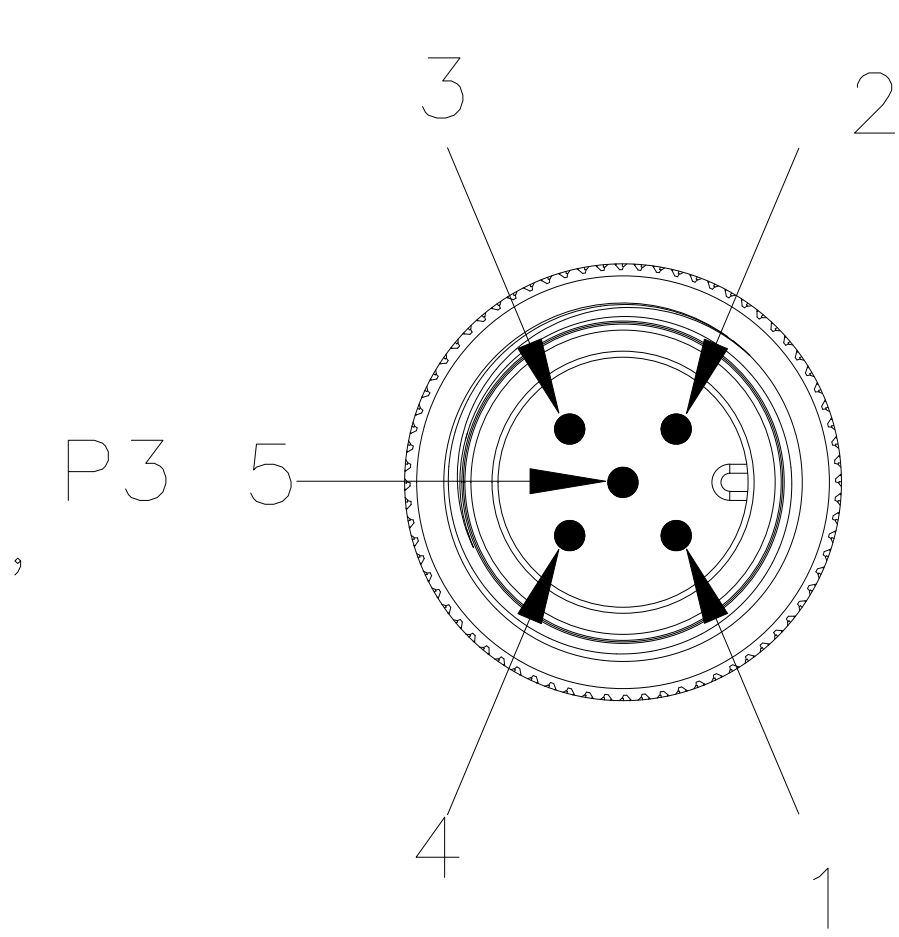


Detailed Product Description:
 Waterproof connector rating is IP67/IP68
 Protected from dust and water during immersion,
 resistant to many oils and chemical etc

Electrical character
 Rating voltage: 60V AC/DC ,
 Insulation resistance: >100MΩ
 Rating current :4A
 Contact resistance≤10 mΩ

Other Specification
 Contact PIN: Brass with Gold plating.
 Coupling nut/screw: Brass with nickel plating
 Insulation plastic: PVC
 Degree of protection: IP67/IP68

*ALL MATERIALS ARE RoHS COMPLIANT.



WIRE LIST

P1	COLOR	P2	P3
1	BROWN	1	1
2	WHITE	2	2
3	BLUE	3	3
4	BLACK	4	4
5	GRAY	5	5

ITEM	PART NO.	SPECIFICATION	Q'TY	UNIT
⑤	PL00007	HD PE	6	g
④	PL00008	BLACK PVC 30P	30	g
③	PL00009	M12 A Coding 5pin Female connector	2	SET
②	PD00005	M12 A Coding 5pin male connector	1	SET
①	N/A	UL1007 22AWG Hook Up wire BROWN,WHITE,BLUE,BLACK,GRAY	1	PCS

SIGNAL[®]
 Shenzhen Signal Electronics Co., LTD

DRAWN BY: _____ DATE: _____
 CHECKED BY: _____ DATE: _____
 APPROVED BY: _____ DATE: _____

THE INFORMATION CONTAINED IN THIS DRAWING IS THE SOLE PROPERTY OF SIGNAL COMPANY. ANY REPRODUCTION IN PART OR WHOLE WITHOUT THE WRITTEN PERMISSION OF SIGNAL COMPANY IS PROHIBITED.

TITLE: M12 5P/M TO 5P/F*2 ADAPTER

SGN NO: 120105-10-005 REV. _____
 DWG NO: _____
 CUSTOMER: 12TP-A5FMF-SC SO

TOLERANCES ARE:
 DECIMALES: .x ±0.5 .xx ±0.20
 ANGLES: x.° ±2.0° .x.° ±1.0°

THIRD ANGLE PROJECTION

SIZE: A4 UNITS: mm
 SCALE: _____ SHEET: 1 OF 1