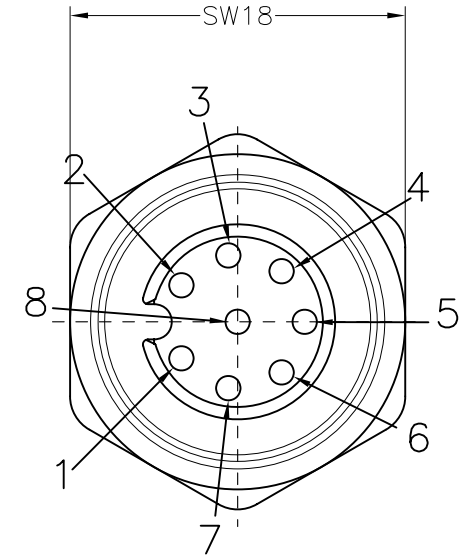
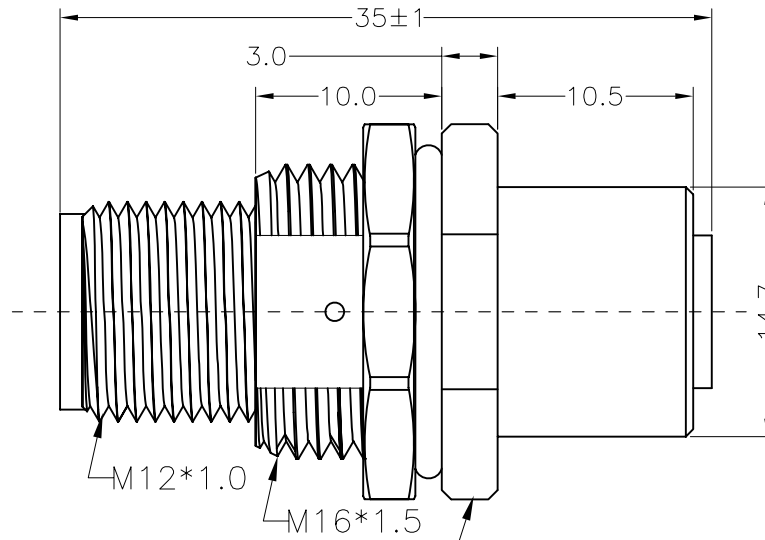
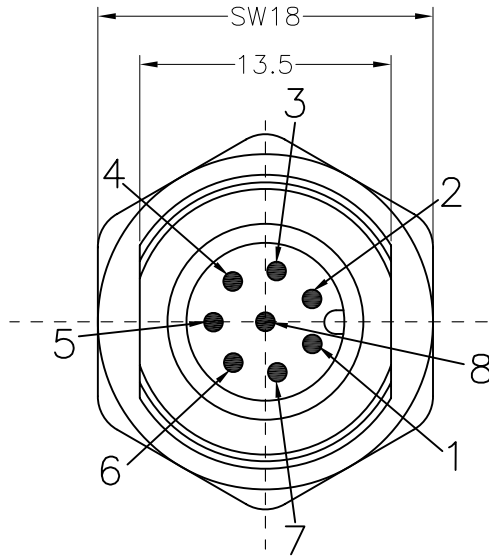


PROJECT NO:
XXXXXX

REV	DESCRIPTION	DATE	APPROVED
S0	CREATED DRAWING	2017/09/05	EUGENE



⑦⑥⑤④③②①

Detailed Product Description:
Waterproof connector rating is IP67
They can not be used permanently under water.

Connector Electrical character
Rating voltage: 30V DC ,
Insulation resistance: >100MΩ
Rating current : 2A
Contact resistance of connector ≤10mΩ
Mechanical characteristics: mating / cycle >500 cycle
Operating temperature: -25°C ~ +85°

*ALL MATERIALS ARE RoHS COMPLIANT.

⑦	NU00002	M16 BRASS PLATED NI L*W=2.8*18mm	2	PCS
⑥	GL00002	Black glue A/B (ethoxyline resin)	2	g
⑤	OR00012	O-Ring GREEN FKM φ7.00*1.5mm	1	PCS
④	OR00008	O-Ring GREEN FKM φ13.0*φ2.0mm	1	PCS
③	WK00189	M12 BRASS WITH NI PLATED, MALE AND FEMALE CONNECT SHELL L=32.8mm	1	PCS
②	CN00081	M12 A Coding 8pin Female connector short style	1	SET
①	CN00078	M12 A Coding 8pin male connector short style	1	SET
ITEM	PART NO.	SPECIFICATION	Q'TY	UNIT

		TITLE M12 8P/M TO 8P/F ADAPTER CONNECTOR	
		SGN NO 120108-10-001	REV.
ShenZhen Signal Electronics co.,Ltd		DWG NO SPM12SA08001	S0
DRAWN BY	DATE	CUSTOMER	
CHECKED BY	DATE		
APPROVED BY	DATE		
<small>THE INFORMATION CONTAINED IN THIS DRAWING IS THE SOLE PROPERTY OF SIGNAL COMPANY. ANY REPRODUCTION IN PART OR WHOLE WITHOUT THE WRITTEN PERMISSION OF SIGNAL COMPANY IS PROHIBITED.</small>		TOLERANCES ARE:	
		DECIMALES	ANGLES
		.x ±0.15	x.' ±1.0'
		.xx ±0.10	.x' ±0.5'
		THIRD ANGLE PROJECTION	
		SIZE: A4	UNITS: mm
		SCALE:	SHEET: 1 OF 1