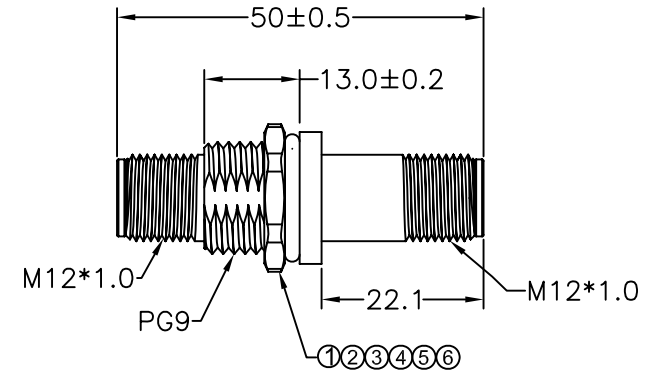
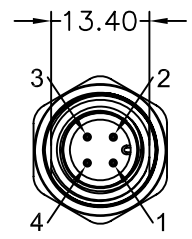


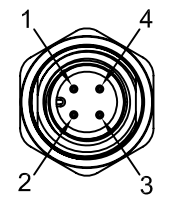
PROJECT NO:
SGNYDXXXXXX

REV	DESCRIPTION	DATE	APPROVED
S0	CREATED DRAWING	2019/07/15	YMX

P1



P2



Detailed Product Description:
Waterproof connector rating is IP67
They can not be used permanently under water

Connector Electrical character
Rating voltage: 250V
Insulation resistance: >100MΩ
Rating current: 4A
Contact resistance of connector ≤10mΩ
Mechanical characteristics: mating / cycle >100cycle
Operating temperature: -25°C ~ +85°C

TESTING CONDITIONS:
1. VOLTAGE: 300V DC/0.1S
2. 100% OPEN AND SHORT ELECTRICAL TEST

ALL MATERIALS ARE RoHS COMPLIANT

WIRE LIST

P1	COLOR	P2
1	BROWN	1
2	WHITE	2
3	BLUE	3
4	BLACK	4

ITEM	PART NO.	SPECIFICATION	Q'TY	UNIT
⑥	GL00002	BLACK EPOXY RESIN	2	g
⑤	OR00008	O-Ring GREEN φ13.0*φ2.0mm	1	PCS
④	NU00006	PG9 BRASS WITH NI PLATED NUT L*W=2.8*18mm	1	PCS
③	WK00105	M12 BRASS WITH NI PLATED FRONT MOUNT PG9 MALE TO MALE L=47.6MM	1	PCS
②	N/A	M12 A Coding 4pin male connector	2	SET
①	N/A	24AWG HOOK UP WIRE	1	PCS

SIGNAL[®]
Shenzhen Signal Electronics Co., LTD

DRAWN BY: _____ DATE: _____
CHECKED BY: _____ DATE: _____
APPROVED BY: _____ DATE: _____

THE INFORMATION CONTAINED IN THIS DRAWING IS THE SOLE PROPERTY OF SIGNAL COMPANY. ANY REPRODUCTION IN PART OR WHOLE WITHOUT THE WRITTEN PERMISSION OF SIGNAL COMPANY IS PROHIBITED.

TITLE: M12 A 4P/M TO 4P/M ADAPTER

SGN NO: 120104-10-002

DWG NO: _____

CUSTOMER: _____

REV. S0

TOLERANCES ARE:
DECIMALES: .x ±0.5 .xx ±0.20
ANGLES: x.' ±2.0' .x' ±1.0'

THIRD ANGLE PROJECTION

SIZE: A4 UNITS: mm
SCALE: _____ SHEET: 1 OF 1