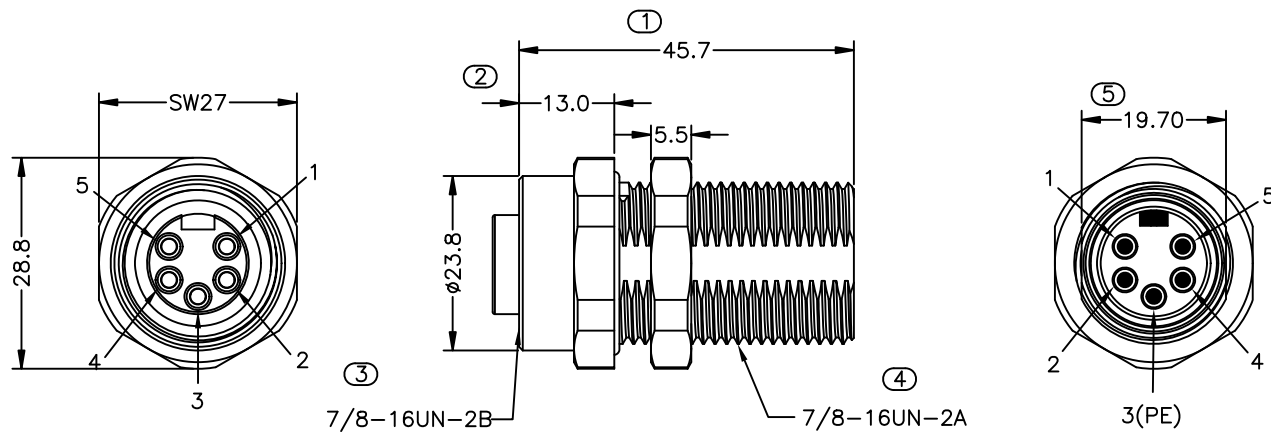


PROJECT NO:
SGNYD2303044

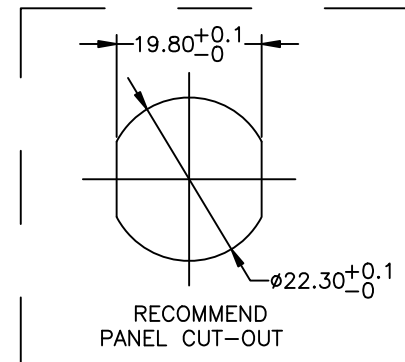
REV	DESCRIPTION	DATE	APPROVED
S0	CREATED DRAWING	2023/04/19	CYF



DETAILED PRODUCT DESCRIPTION:
WATERPROOF CONNECTOR RATING IS IP67
THEY CAN NOT BE USED PERMANENTLY UNDER WATER
PER ISO-20653, IEC60529

ELECTRICAL PROPERTIES AT +20°C
RATING VOLTAGE: 600 AC/DC
INSULATION RESISTANCE: >100MΩ
RATING CURRENT: 9A
CONTACT RESISTANCE OF CONNECTOR ≤10mΩ
MECHANICAL CHARACTERISTICS: MATING CYCLE >100 CYCLES
OPERATING TEMPERATURE: -25°C ~ +85°C

ALL MATERIALS ARE ROHS COMPLIANT



ITEM	PART NO.	SPECIFICATION	Q'TY	UNIT
⑧	N/A	7/8 BRASS WITH NI PLATING METAL NUT	1	PCS
⑦	CN01192-5	7/8 5PIN BLACK MALE INSULATOR TPU	1	PCS
⑥	N/A	7/8 PHOSPHOR BRONZE WITH GOLD PLATING 1u"	5	PCS
⑤	CN01192-2	7/8 5PIN BLACK FEMALE INSULATOR TPU	1	PCS
④	GL00002	BLACK EPOXY GLUE	2	G
③	OR00093	O-RING NNBR BLACK	1	PCS
②	N/A	7/8 FEMALE O-RING NBR BLACK	1	PCS
①	N/A	7/8 BRASS WITH NI PLATING FEMALE SHELL	1	PCS

SIGNAL[®]
Shenzhen Signal Electronics co.,Ltd

DRAWN BY	DATE
CHECKED BY	DATE
CHECKED BY	DATE
APPROVED BY	DATE

THE INFORMATION CONTAINED IN THIS DRAWING IS THE SOLE PROPERTY OF SIGNAL COMPANY.
ANY REPRODUCTION IN PART OR WHOLE WITHOUT THE WRITTEN PERMISSION OF SIGNAL COMPANY IS PROHIBITED.

TITLE 7/8 5P M TO F CONNECTOR(METAL)	
SGN NO 780005-10-001	REV. S0
DWG NO SGNYD2303044-1-1158	
CUSTOMER	
TOLERANCES ARE: DECIMALES .x ±0.50 ANGLES .x' ±2.0'	THIRD ANGLE PROJECTION SIZE: A4 UNITS: mm SCALE: 1:1 SHEET: 1 OF 1