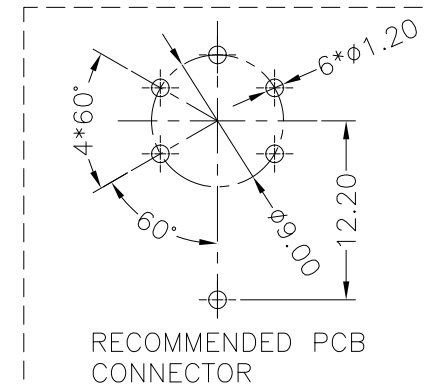
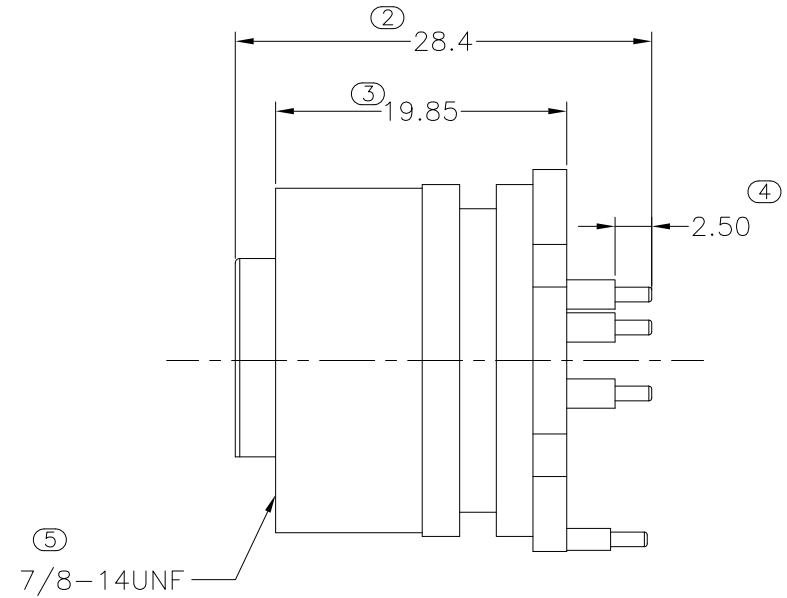
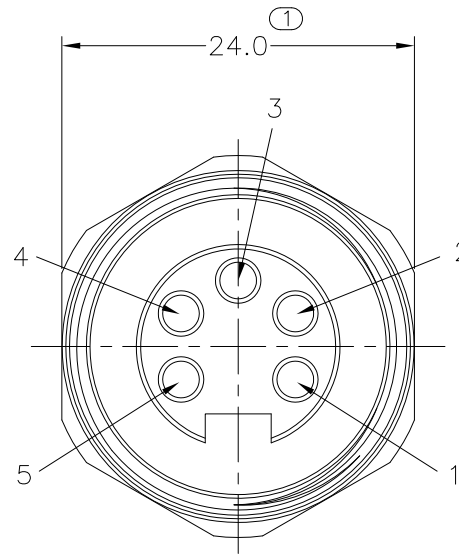


REV	DESCRIPTION	DATE	APPROVED
S0	CREATED DRAWING	2019/05/28	CYF


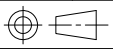


Detailed Product Description:
Waterproof connector rating is IP67
They can not be used permanently under water.

Connector Electrical character
Rating voltage:300V DC ,
Insulation resistance: >100MΩ
Rating current :8A
Contact resistance of connector ≤10mΩ
Mechanical characteristics: mating / cycle >500 cycle
Operating temperature: -25°C ~ +85°

*ALL MATERIALS ARE RoHS COMPLIANT.

②	GL00002	BLACK EPOXY RESIN	2	9
①	N/A	7/8 5PIN FEMALE CONNECTOR	1	SET
ITEM	PART NO.	SPECIFICATION	Q'TY	UNIT

 Shenzhen Signal Electronics Co., LTD		TITLE 7/8 5P/F CONNECTOR	
		SGN NO 780005-04-002	REV.
DRAWN BY		DATE	
CHECKED BY		DATE	
APPROVED BY		DATE	
<small>THE INFORMATION CONTAINED IN THIS DRAWING IS THE SOLE PROPERTY OF SIGNAL COMPANY. ANY REPRODUCTION IN PART OR WHOLE WITHOUT THE WRITTEN PERMISSION OF SIGNAL COMPANY IS PROHIBITED.</small>		TOLERANCES ARE: DECIMALES .x ±0.5 .xx ±0.20	ANGLES x.' ±2.0' .x' ±1.0'
		THIRD ANGLE PROJECTION	
		SIZE: A4	UNITS: mm
		SCALE:	SHEET: 1 OF 1