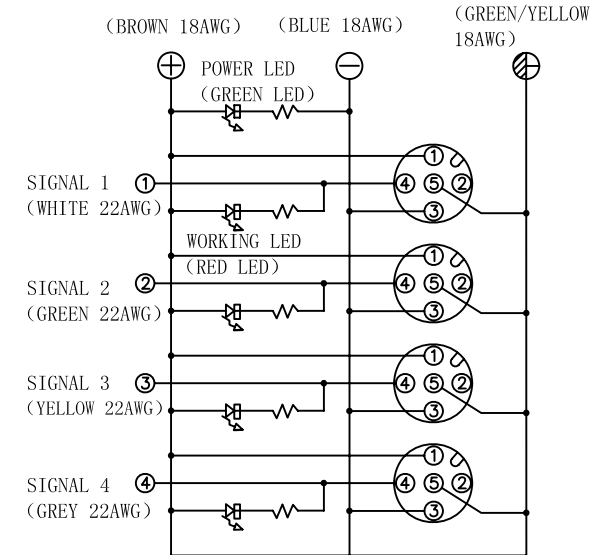
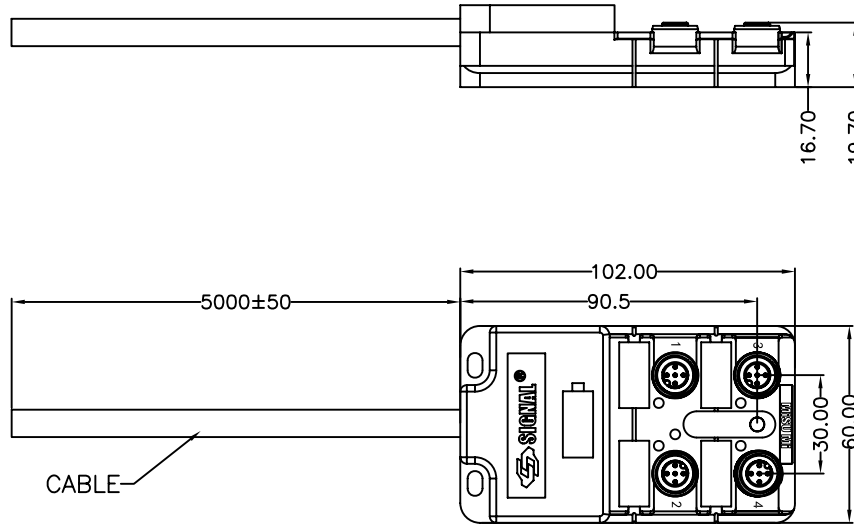


PROJECT NO:
SGNYD1710032-1

REV	DESCRIPTION	DATE	APPROVED
S0	CREATED DRAWING	2017/10/23	YMX
S1	CHANGES TO THE WIRE	2018/11/06	YMX



Detailed Product Description:
Waterproof connector rating is IP67
They can not be used permanently under water.

Connector Electrical character
Rating voltage:60V DC ,
Insulation resistance: >100MΩ
Rating current :4A
Contact resistance of connector ≤10mΩ
Mechanical characteristics: mating / cycle >100 cycle
Operating temperature: -25°C ~ +85°

*ALL MATERIALS ARE RoHS COMPLIANT.

ITEM	PART NO.	SPECIFICATION	Q'TY	UNIT
③	GL00002	BLACK GLUE A/B (ETHOXYLINE RESIN)	75	g
②	N/A	M12 4*5P/F ADAPTER JUNCTION BOX(NPN)	1	SET
①	N/A	CABLE: UL2464 18AWG*3C+22AWG*4C JACKET GRAY PVC OD=7.0MM	1	PCS

		TITLE M12 4*5P/F ADAPTER JUNCTION BOX TO CABLE(PIN4 LED)	
		SGN NO 920105-04-612	REV. S1
DRAWN BY		DATE	
CHECKED BY		DATE	
APPROVED BY		DATE	
<small>THE INFORMATION CONTAINED IN THIS DRAWING IS THE SOLE PROPERTY OF SIGNAL COMPANY. ANY REPRODUCTION IN PART OR WHOLE WITHOUT THE WRITTEN PERMISSION OF SIGNAL COMPANY IS PROHIBITED.</small>		TOLERANCES ARE: DECIMALES .x ±0.5 ANGLES .x' ±2.0' .xx ±0.20 .x' ±1.0'	THIRD ANGLE PROJECTION
		SIZE: A4	UNITS: mm
		SCALE:	SHEET: 1 OF 1