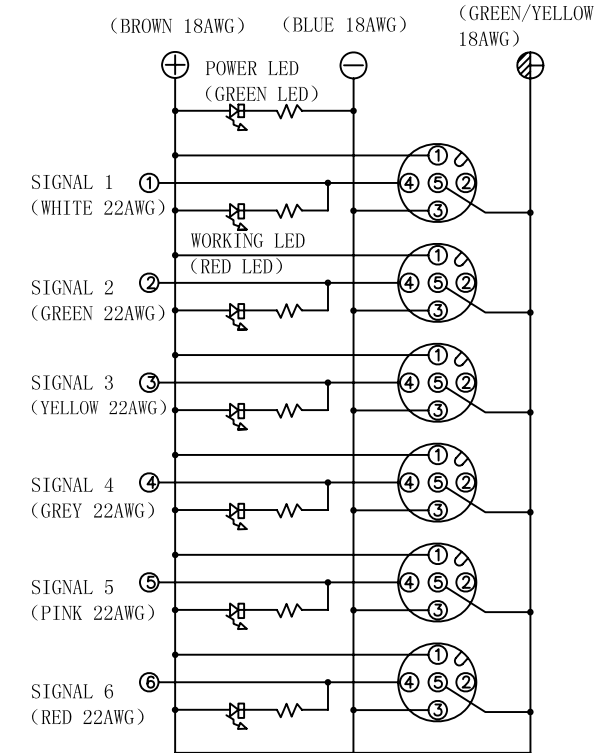
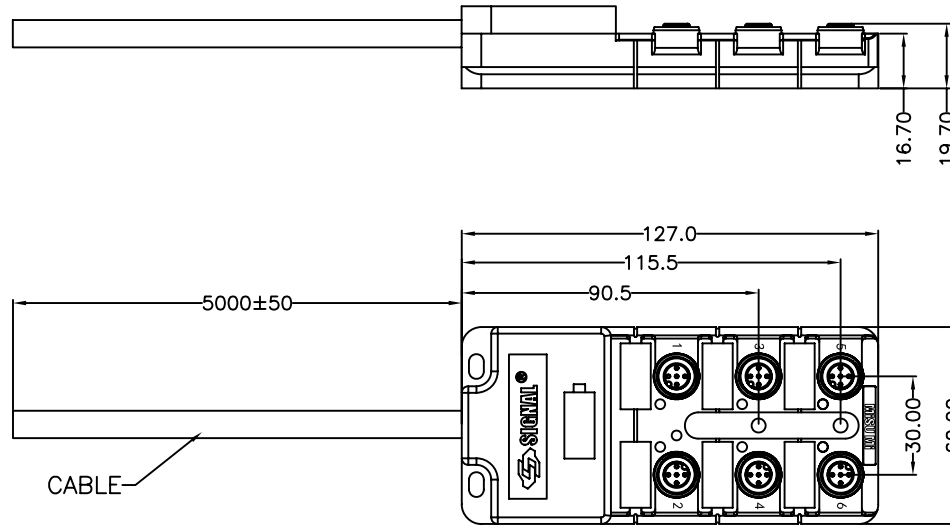


PROJECT NO:  
SGNYD1710032-4

REV	DESCRIPTION	DATE	APPROVED
S0	CREATED DRAWING	2017/10/23	YMX
S1	CHANGES TO THE WIRE	2018/11/06	YMX




Detailed Product Description:  
Waterproof connector rating is IP67  
They can not be used permanently under water.

Connector Electrical character  
Rating voltage:60V DC ,  
Insulation resistance: >100MΩ  
Rating current :4A  
Contact resistance of connector ≤10mΩ  
Mechanical characteristics: mating / cycle >100 cycle  
Operating temperature: -25°C ~ +85°

\*ALL MATERIALS ARE RoHS COMPLIANT.

ITEM	PART NO.	SPECIFICATION	Q'TY	UNIT
③	GL00002	BLACK GLUE A/B (ETHOXYLINE RESIN)	100	g
②	N/A	M12 6*5P/F ADAPTER JUNCTION BOX(NPN)	1	SET
①	N/A	CABLE: UL2464 18AWG*3C+22AWG*6C JACKET GRAY PVC OD=7.5MM	1	PCS



**SIGNAL**®

Shenzhen Signal Electronics Co., LTD

**TITLE** M12 6\*5P/F ADAPTER JUNCTION BOX TO CABLE(PIN4 LED)

SGN NO 920105-06-612

DWG NO SGNYD1710032-4

CUSTOMER

DRAWN BY		DATE		REV.	
CHECKED BY		DATE		S1	
APPROVED BY		DATE		TOLERANCES ARE:	
				DECIMALES	ANGLES
				.x ±0.5	x.' ±2.0'
				.xx ±0.20	.x' ±1.0'

THE INFORMATION CONTAINED IN THIS DRAWING IS THE SOLE PROPERTY OF SIGNAL COMPANY.  
ANY REPRODUCTION IN PART OR WHOLE WITHOUT THE WRITTEN PERMISSION OF SIGNAL COMPANY IS PROHIBITED.

THIRD ANGLE PROJECTION

SIZE: A4 UNITS: mm

SCALE: SHEET: 1 OF 1