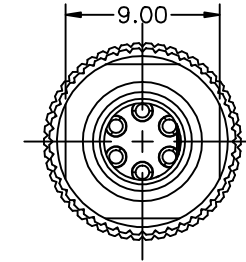
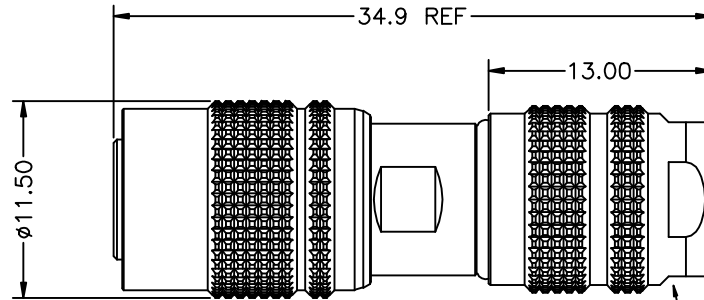
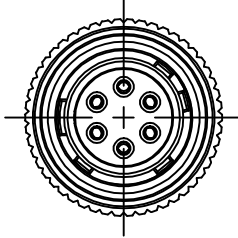


REV	DESCRIPTION	DATE	APPROVED
S0	CREATED DRAWING	2021/11/25	ZK



TERMINAL: SOLDER

CABLE OD
MAX:4.5mm

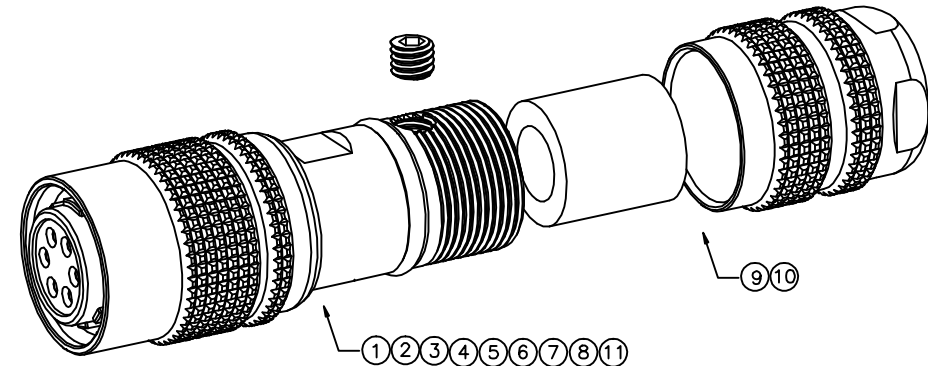
Detailed Product Description:

Waterproof connector rating is IP67
They can not be used permanently under water
Per ISO-20653,IEC60529

Electrical character

Rating voltage: 100V AC/140V DC
Insulation resistance: >1000MΩ
Rating current: 2A
Contact resistance ≤10mΩ
Operating temperature: -25°C ~ +85°C

*ALL MATERIALS ARE RoHS COMPLIANT.



11	SW00078	M2.5*0.45 SCREW	STAINLESS STEEL	N/A	1	PCS
10	YDOR0171	WATERPROOF THROAT	NBR	N/A	1	PCS
9	YDNU0117	M9*1.0 TAIL LOCK NUT	BRASS	NICKEL	1	PCS
8	OR00013-1	M8 BLACK O-RING	FKM	N/A	1	PCS
7	OR00037	M8 RED O-RING	SILICON	N/A	1	PCS
6	YDWJ0135	M8 SPRING	STAINLESS STEEL	N/A	1	PCS
5	YDWK0548-1	HRS 6PIN BRASS BODY SHELL	BRASS	NICKEL	1	PCS
4	YDWK0547-1	HRS FEMALE KIRSITE SHELL	KIRSITE	NICKEL	1	PCS
3	YDCN0624	HRS 6PIN FEMALE HOUSING	PBT	N/A	1	PCS
2	YDTE0928	HRS 6PIN FEMALE TERMINAL(SOLDER)	PHOSPHOR BRONZE	SILVER	6	PCS
1	YDWK0546	HRS 6PIN FEMALE BRASS NUT	BRASS	NICKEL	1	PCS
ITEM	PART NO.	SPECIFICATION	MATERIAL	COATING	Q'TY	UNIT



Shenzhen Signal Electronics co.,Ltd

DRAWN BY DATE

CHECKED BY DATE

CHECKED BY DATE

APPROVED BY DATE

THE INFORMATION CONTAINED IN THIS DRAWING IS THE SOLE PROPERTY OF SIGNAL COMPANY. ANY REPRODUCTION IN PART OR WHOLE WITHOUT THE WRITTEN PERMISSION OF SIGNAL COMPANY IS PROHIBITED.

TITLE HRS 6PIN FEMALE ASSEMBLY CONNECTOR (WITH WATERPROOF)

SGN NO 950106-02-001 REV.

DWG NO

CUSTOMER SO

TOLERANCES ARE: DECIMALES ANGLES THIRD ANGLE PROJECTION

.x ±0.5 x.' ±2.0' .xx ±0.20 .x' ±1.0' SIZE: A4 UNITS: mm SCALE: 1:1 SHEET: 1 OF 1