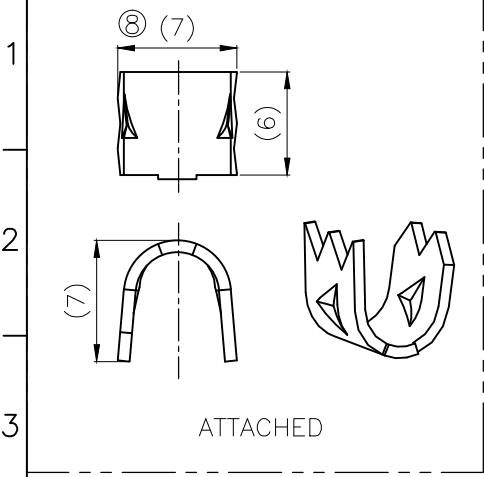


REV	DESCRIPTION	DATE	APPROVED
S0	CREATED DRAWING	2021/08/13	ZCH



Detailed product description:

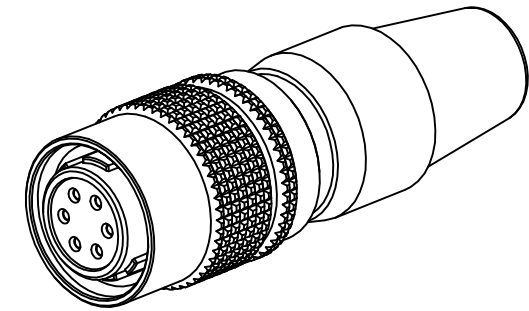
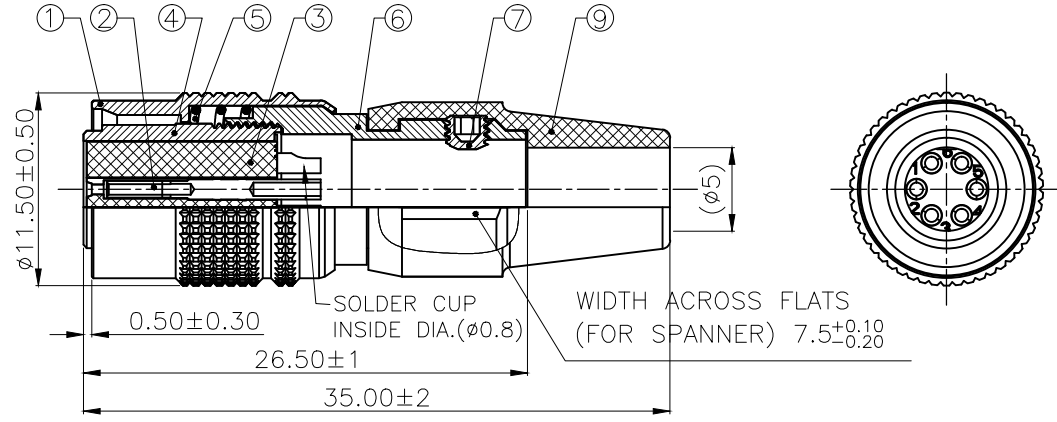
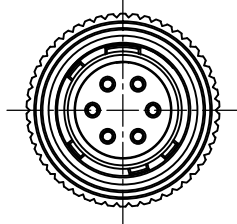
Connector electrical character

- Rating voltage: 100V AC, 140V DC,
- Rating current : 2A
- Insulation resistance: >1000M ohms
- Contact resistance of connector ≤10m ohms
- Dielectric withstanding voltage: 300V AC R.M.S.Max.


Mechanical characteristics:

- Mating cycles >500 cycles
- Operating temperature: -25°C ~ +85°C
- Storage temperature: -10°C ~ +60°C
- Cable OD: ø5.0mm
- Applicable Wire: 0.15mm²(26AWG),

*All materials are RoHS compliant.



⑨	N/A	PUSH PULL 6PIN FEMALE CR RUBBER, BLACK	1	PCS
⑧	N/A	PUSH PULL 6PIN FEMALE BRASS CLAMP	1	PCS
⑦	N/A	6PIN FEMALE NICKEL PLATED BRASS NUT	1	PCS
⑥	N/A	6PIN FEMALE MOUNTING FRAME SHELL NICKEL PLATED BRASS	1	PCS
⑤	N/A	6PIN FEMALE STAINLESS STEEL SPRING	1	PCS
④	N/A	6PIN FEMALE NICKEL PLATED BRASS BODY	1	PCS
③	N/A	6PIN FEMALE INSULATION (PA66+GF)	1	PCS
②	N/A	6PIN FEMALE SILVER PLATED PHOSPHOR BRONZE FEMALE TERMINAL	6	PCS
①	N/A	6PIN FEMALE MATTE NICKEL PLATED BRASS REAR FASTENED SHELL	1	PCS
ITEM	PART NO.	SPECIFICATION	Q'TY	UNIT



SIGNAL[®]

Shenzhen Signal Electronics co.,Ltd

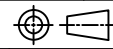
TITLE: PUSH PULL 6PIN PLUG (SOLDER TYPE)

SGN NO: 950106-21-001

DWG NO: _____

CUSTOMER: _____

TOLERANCES ARE:
 DECIMALES: .x ±0.5, .xx ±0.20
 ANGLES: x.' ±2.0', .x' ±1.0'

THIRD ANGLE PROJECTION: 

SIZE: A4 UNITS: mm
 SCALE: 1:1 SHEET: 1 OF 1

DRAWN BY	DATE	REV.
CHECKED BY	DATE	S0
CHECKED BY	DATE	
APPROVED BY	DATE	

THE INFORMATION CONTAINED IN THIS DRAWING IS THE SOLE PROPERTY OF SIGNAL COMPANY. ANY REPRODUCTION IN PART OR WHOLE WITHOUT THE WRITTEN PERMISSION OF SIGNAL COMPANY IS PROHIBITED.