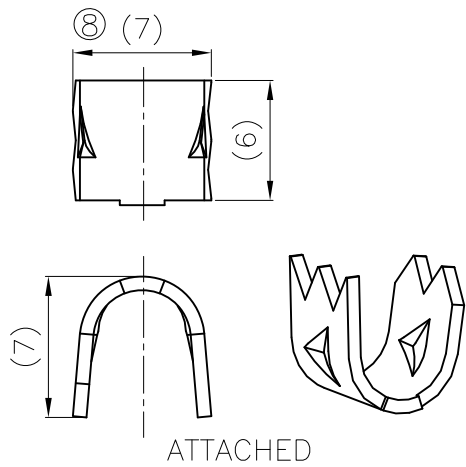


REV	DESCRIPTION	DATE	APPROVED
S0	CREATED DRAWING	2023/03/13	ZCH



ATTACHED

Detailed product description:

Connector electrical character

Rating voltage: 100V AC, 140V DC,

Rating current : 2A

Insulation resistance: >1000M ohms

Contact resistance of connector ≤10m ohms

Dielectric withstanding voltage: 300V AC R.M.S.Max.

Mechanical characteristics:

Mating cycles >500 cycles

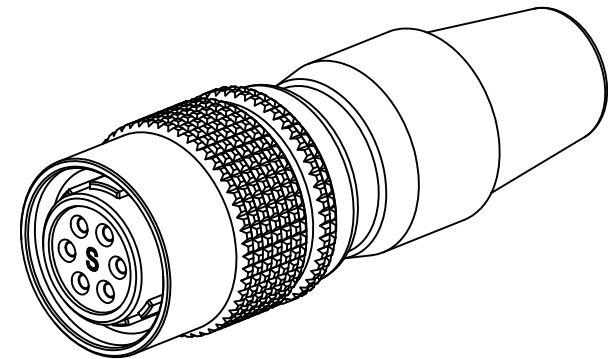
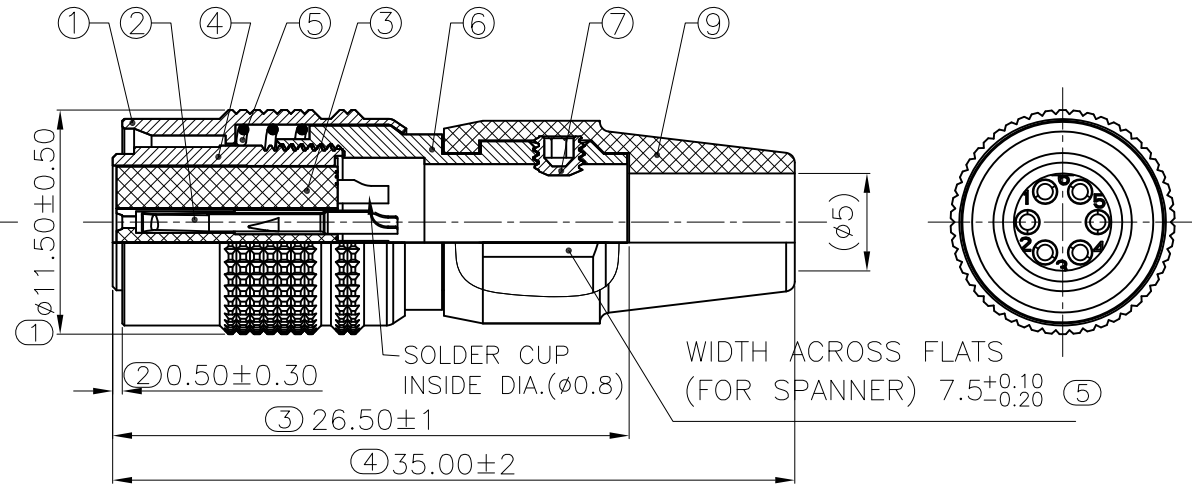
Operating temperature: -25°C ~ +85°C

Storage temperature: -10°C ~ +60°C

Cable OD: Ø5.0mm

Applicable Wire: 0.15mm²(26AWG),

*All materials are RoHS compliant.



ITEM	PART NO.	SPECIFICATION	Q'TY	UNIT
⑨	CN01079	PUSH PULL 6PIN FEMALE CR RUBBER, BLACK	1	PCS
⑧	WJ00110	PUSH PULL 6PIN FEMALE BRASS CLAMP	1	PCS
⑦	SW00078	6PIN FEMALE NICKEL PLATED BRASS NUT	1	PCS
⑥	WK00686	6PIN FEMALE MOUNTING FRAME SHELL NICKEL PLATED BRASS	1	PCS
⑤	WJ00109	6PIN FEMALE STAINLESS STEEL SPRING	1	PCS
④	WK00685	6PIN FEMALE NICKEL PLATED ZINC ALLOY BODY	1	PCS
③	CN01078-2	6PIN FEMALE INSULATION (PA66+GF)	1	PCS
②	TE01394	6PIN FEMALE SILVER PLATED PHOSPHOR BRONZE FEMALE TERMINAL	6	PCS
①	WK00684	6PIN FEMALE MATTE NICKEL PLATED BRASS REAR FASTENED SHELL	1	PCS

SIGNAL [®] Shenzhen Signal Electronics co.,Ltd		TITLE PUSH PULL 6PIN PLUG (SOLDER TYPE FORM CONTACT)	
		SGN NO 950106-21-004	REV.
DRAWN BY	DATE	DWG NO SGN01004-1566	SO
CHECKED BY	DATE	CUSTOMER	
CHECKED BY	DATE	TOLERANCES ARE:	
APPROVED BY	DATE	DECIMALES .x ±0.5	ANGLES x.' ±2.0'
THE INFORMATION CONTAINED IN THIS DRAWING IS THE SOLE PROPERTY OF SIGNAL COMPANY. ANY REPRODUCTION IN PART OR WHOLE WITHOUT THE WRITTEN PERMISSION OF SIGNAL COMPANY IS PROHIBITED.		.xx ±0.20	.x' ±1.0'
		THIRD ANGLE PROJECTION	SIZE: A4 UNITS: mm
		SCALE: 1:1	SHEET: 1 OF 1