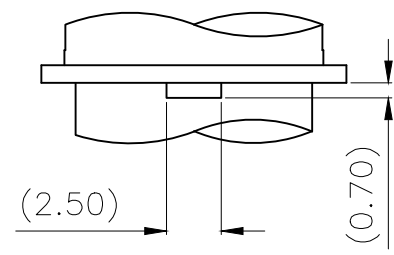
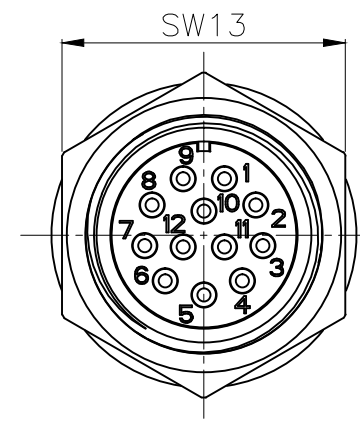
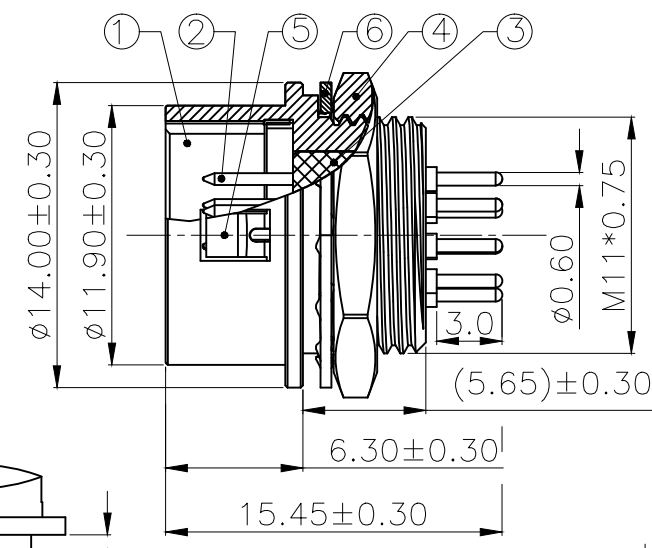
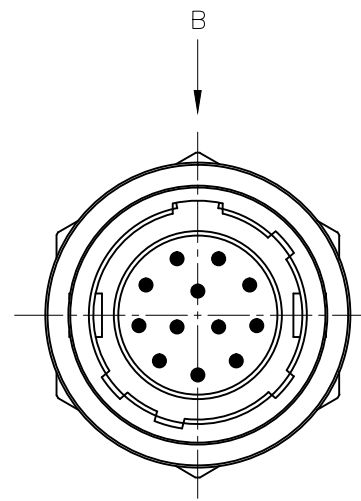
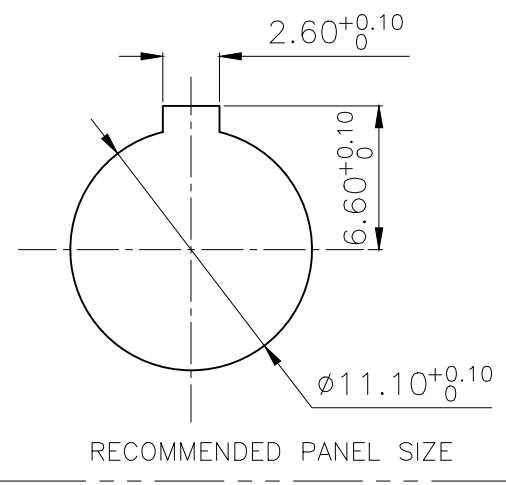
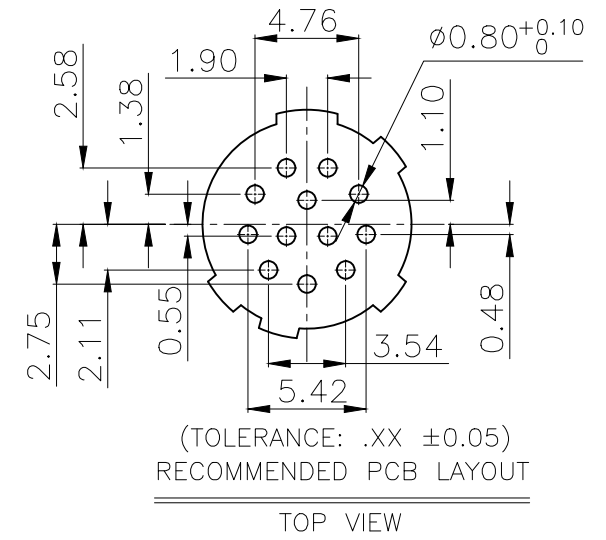
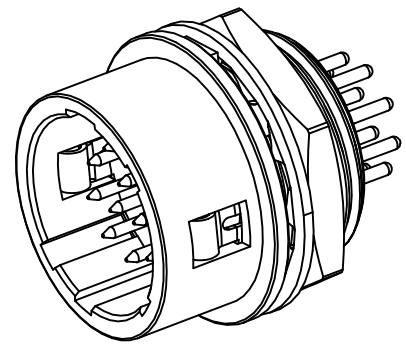


REV	DESCRIPTION	DATE	APPROVED
S0	CREATED DRAWING	2021/12/23	ZCH



Detailed Product Description:
 Connector Electrical Character
 Rating Voltage: 300V AC,
 Rating Current : 2A
 Insulation Resistance: >1000M ohms
 Contact Resistance Of Connector ≤10m ohms

Mechanical Characteristics:
 Mating / Cycle >1000 Cycles
 Operating Temperature: -25°C ~ +85°C
 *All Materials Are RoHS Compliant.



⑥	YDWJ0146	12PIN RECEPTACLE METAL GASKET NICKEL PLATED PHOSPHOR BRONZE	1	PCS
⑤	YDWJ0147	12PIN RECEPTACLE METAL ENHANCER NICKEL PLATED STAINLESS STEEL	1	PCS
④	YDNU0115	12PIN RECEPTACLE NICKEL PLATED BRASS NUT	1	PCS
③	YDCN0660	12PIN MALE INSULATION (PA66+GF)	1	PCS
②	N/A	12PIN RECEPTACLE SILVER PLATED BRASS MALE TERMINAL	12	PCS
①	YDWK0584	12PIN RECEPTACLE MATTE NICKEL PLATED BRASS REAR FASTENED SHELL	1	PCS
ITEM	PART NO.	SPECIFICATION	Q'TY	UNIT

SIGNAL
 Shenzhen Signal Electronics co.,Ltd

DRAWN BY	DATE
CHECKED BY	DATE
CHECKED BY	DATE
APPROVED BY	DATE

THE INFORMATION CONTAINED IN THIS DRAWING IS THE SOLE PROPERTY OF SIGNAL COMPANY. ANY REPRODUCTION IN PART OR WHOLE WITHOUT THE WRITTEN PERMISSION OF SIGNAL COMPANY IS PROHIBITED.

TITLE PUSH PULL 12PIN RECEPTACLE (DIP TYPE)	
SGN NO	950112-03-002
DWG NO	
CUSTOMER	
TOLERANCES ARE:	THIRD ANGLE PROJECTION
DECIMALES	ANGLES
.x ±0.5	x' ±2.0'
.xx ±0.20	.x' ±1.0'
SIZE: A4	UNITS: mm
SCALE: 1:1	SHEET: 1 OF 1