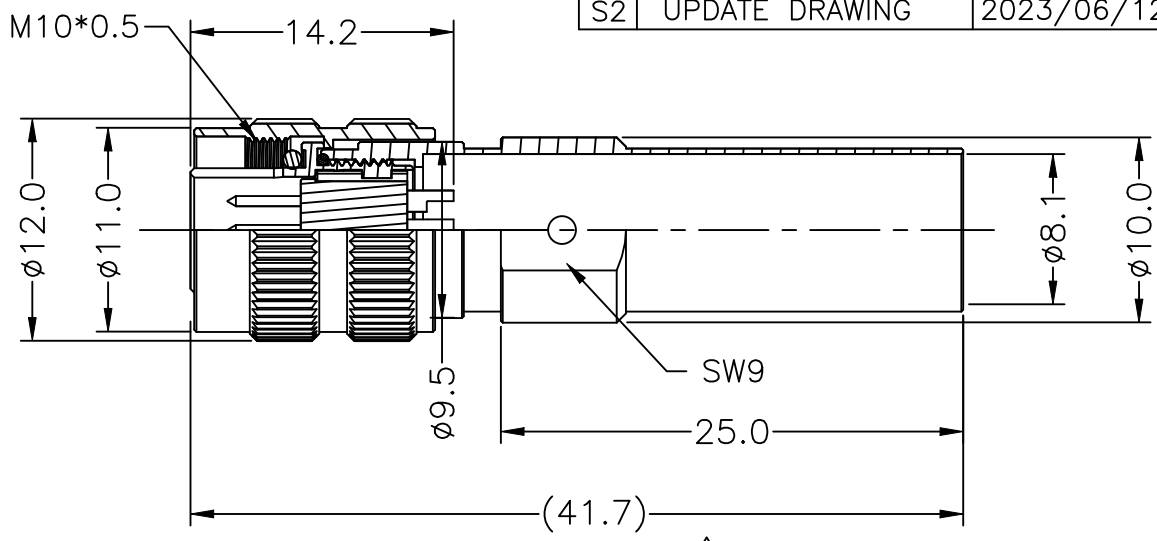
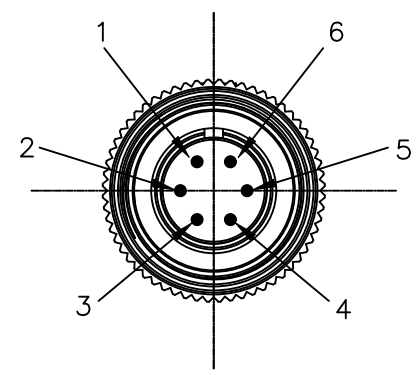


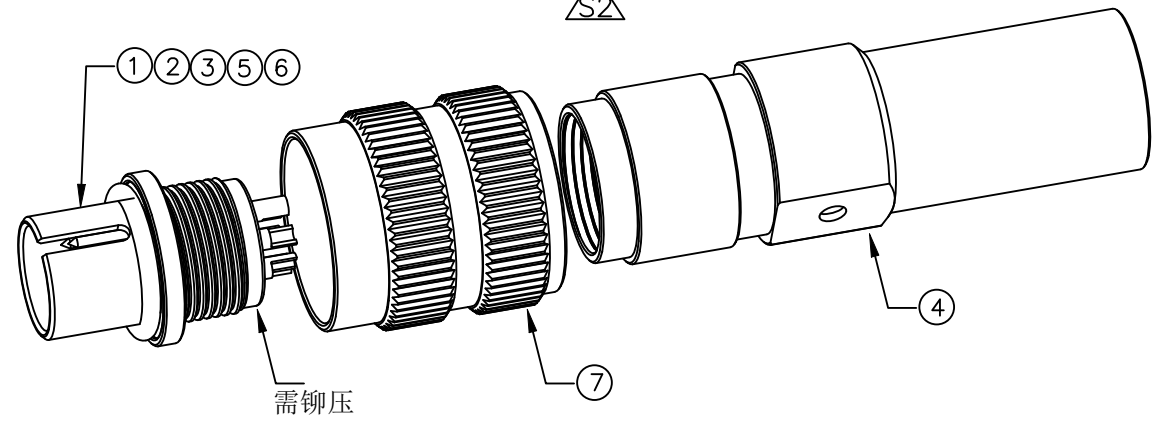
REV	DESCRIPTION	DATE	APPROVED
S0	CREATED DRAWING	2023/03/08	ZK
S1	UPDATE DRAWING	2023/03/10	ZK
S2	UPDATE DRAWING	2023/06/12	ZK




Detailed Product Description:  
 Waterproof connector rating is IP67  
 They can not be used permanently under water

Electrical character  
 Rating voltage: 300V AC/DC  
 Insulation resistance: >100MΩ  
 Rating current: 2A  
 Contact resistance ≤10mΩ  
 Operating temperature: -25°C ~ +85°C

\*ALL MATERIALS ARE RoHS COMPLIANT.



⑦	NU00190	CAP	BRASS	NI	1	PCS
⑥	OR00296	O-RING BLACK 1	SILICON	N/A	1	PCS
⑤	OR00295	O-RING BLACK 2	SILICON	N/A	1	PCS
④	WK00840	BODY	BRASS	NI	1	PCS
③	CN01373	INSULATOR	PA66	N/A	1	PCS
②	TE01410	TERMINAL	BRASS	AU	6	PCS
①	WK00839	NUT	BRASS	NI	1	PCS
ITEM	PART NO.	SPECIFICATION	MATERIAL	COATING	Q'TY	UNIT



**SIGNAL**<sup>®</sup>

ShenZhen Signal Electronics co.,Ltd

DRAWN BY		DATE	TITLE	
CHECKED BY		DATE	SAMW00 6PIN MALE CONNECTOR	
CHECKED BY		DATE	SGN NO	940006-20-002
APPROVED BY		DATE	DWG NO	SGNYD2302004
			CUSTOMER	SW-8W-6(P)
			TOLERANCES ARE:	THIRD ANGLE PROJECTION
			DECIMALES	ANGLES
			.x ±0.2	x.' ±2.0'
			.xx ±0.10	.x' ±1.0'
			SCALE:	SHEET: 1 OF 1