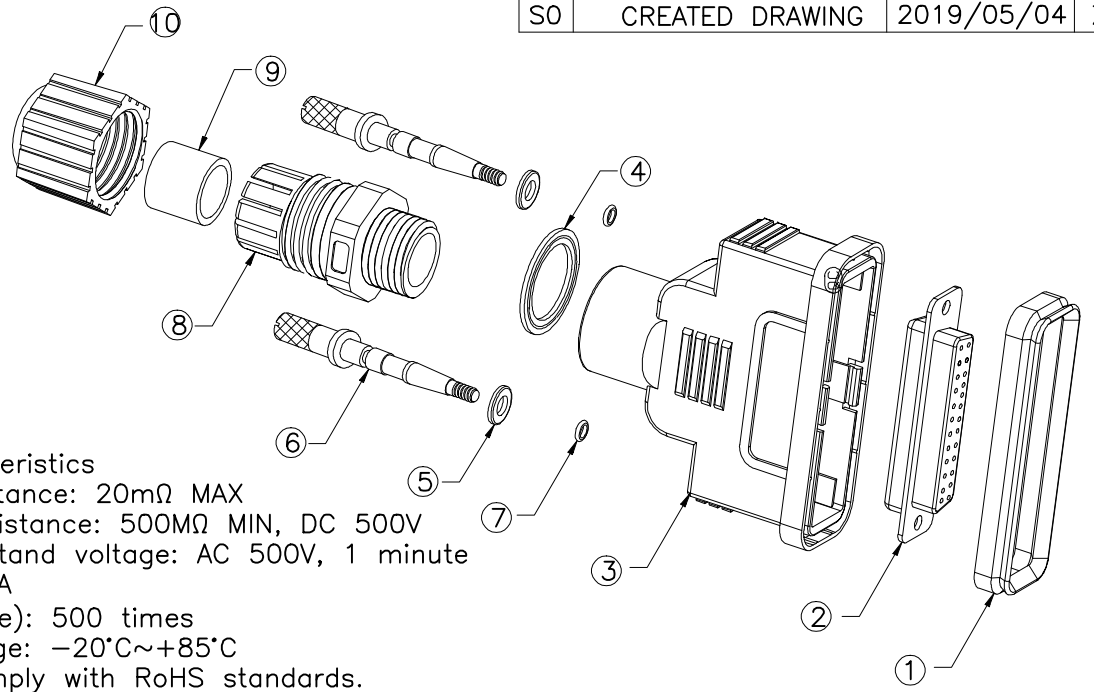
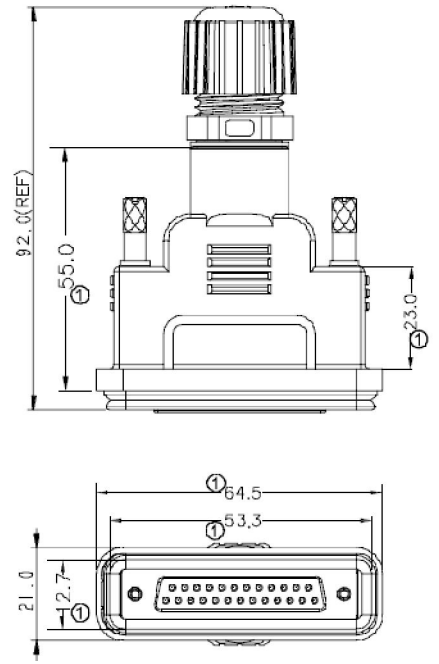
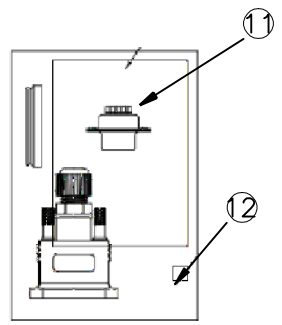



REV	DESCRIPTION	DATE	APPROVED
S0	CREATED DRAWING	2019/05/04	ZZJ



- Illustrate:
- Electrical characteristics  
 Contact resistance: 20mΩ MAX  
 Insulation resistance: 500MΩ MIN, DC 500V  
 Medium withstand voltage: AC 500V, 1 minute
  - Rated current: 2A
  - Durability (lifetime): 500 times
  - Temperature range: -20°C~+85°C
  - All materials comply with RoHS standards.
  - Protection level: connector IP67
  - Applicable cable: φ3.5mm-φ7.0mm



⑫	BA00014	Transparent zipper bag 140*90mm with environmental protection logo	1	PCS
⑪	BA00023	Transparent zipper bag 60*90mm	1	PCS
⑩	NU00059	Plastic assembly type (common to large and medium) nuts PA66	1	PCS
⑨	OR00101	Plastic assembly type (large and medium-sized) black waterproof hose sleeve, EPDM 70°	1	PCS
⑧	OR00103	Plastic assembly type (large and medium-sized) waterproof hose PA66 black	1	PCS
⑦	OR00095	Transparent silicone o-ring material SIL 70°	2	PCS
⑥	SW00025	Assembly type long screw brass nickel plated screw	2	PCS
⑤	OR00094	Black waterproof ring rubber pad on long screw NBR 70°	2	PCS
④	OR00104	Plastic assembly type (for large and medium) waterproof hose gasket EPDM 70°	1	PCS
③	HS00170	Plastic assembly type (large) HOUSING black ABS	1	PCS
②	CN00738	D-SUB 25PIN solder wire assembly female header with 1U" car terminal	1	PCS
①	OR00106	Plastic assembly type (large) front sealing ring EPDM 70°	1	PCS
ITEM	PART NO.	SPECIFICATION	Q'TY	UNIT



**SIGNAL**<sup>®</sup>

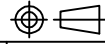
Shenzhen Signal Electronics Co., LTD

TITLE  
DB 25/F Plastic assembly

SGN NO 910125-02-011

DWG NO

CUSTOMER

DRAWN BY	DATE	THIRD ANGLE PROJECTION	
CHECKED BY	DATE		
APPROVED BY	DATE		
THE INFORMATION CONTAINED IN THIS DRAWING IS THE SOLE PROPERTY OF SIGNAL COMPANY. ANY REPRODUCTION IN PART OR WHOLE WITHOUT THE WRITTEN PERMISSION OF SIGNAL COMPANY IS PROHIBITED.		TOLERANCES ARE: DECIMALES .x ±0.5 ANGLES .x' ±2.0' .xx ±0.20 .x' ±1.0'	SIZE: A4 UNITS: mm SCALE: SHEET: 1 OF 1