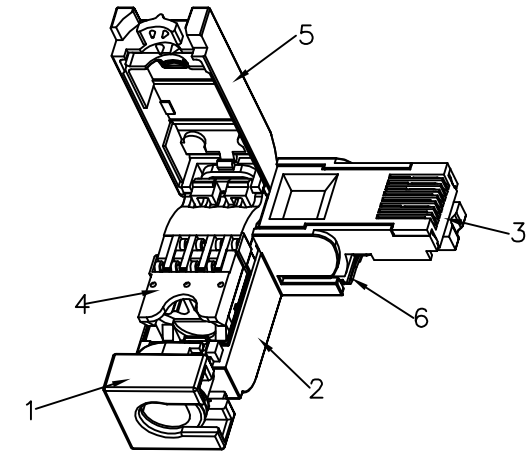
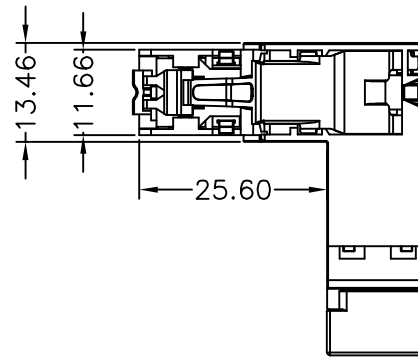
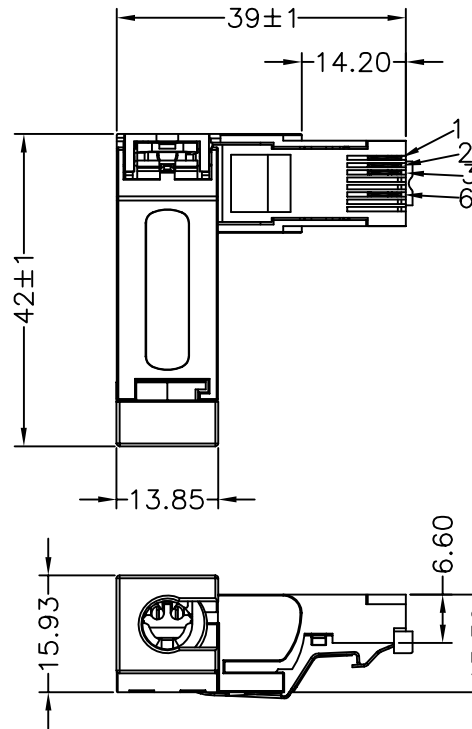


PROJECT NO:

REV	DESCRIPTION	DATE	APPROVED
S0	CREATED DRAWING	2021/08/05	WJY



material:

- 1.Nut zinc alloy material nickel plated 50–100u" Applicable wire OD: 6.0–7.0MM
- 2.Front shell:90 degree front shell zinc alloy material nickel plated 50–100u"
- 3.RJ45 plug:
  - 3–1.housing:90 degree rubber core material pa66 + 15% gf black
  - 3–2.contact terminal material phosphorus copper front gold back tin tin plating 80–100u" & gold plating 3u"
  - 3–3.clamp terminal material phosphor copper tinned 80–100u"
  - 3–4.90 degree pcb board W19.9 \* H19.0 \* T0.6mm green
  - 3–5.90 degree transparent mylar W24.8 \* H20.4 \* T0.1mm
- 4.Crimping back cover material pc material transparent, suitable for 22AWG stranded and solid wire
- 5.Rear shell zinc alloy material nickel plated 50–100u"
- 6.Shrapnel stainless steel glossy oil seal


Detailed Product Description:

Waterproof connector rating is IP20  
They can not be used permanently under water  
Per ISO–20653,IEC60529

Connector Electrical character:

Rating voltage: 60V  
Insulation resistance: >100MΩ  
Rating current: 4A  
Contact resistance of connector ≤120mΩ  
Mechanical characteristics: mating / cycle ≥100 cycle  
Operating temperature: –25°C ~ +85°C  
Transmission category:CAT5 100Mbps

\*ALL MATERIALS ARE RoHS COMPLIANT.

 Shenzhen Signal Electronics Co., LTD		TITLE RJ45 4-CORE METAL MALE ELBOW 90 DEGREE CRIMP ASSEMBLY			
		SGN NO 940004-07-005	REV.		
DRAWN BY	DATE	DWG NO SGN YD2010010-2	S0		
CHECKED BY	DATE	CUSTOMER			
APPROVED BY	DATE	TOLERANCES ARE:	THIRD ANGLE PROJECTION		
THE INFORMATION CONTAINED IN THIS DRAWING IS THE SOLE PROPERTY OF SIGNAL COMPANY. ANY REPRODUCTION IN PART OR WHOLE WITHOUT THE WRITTEN PERMISSION OF SIGNAL COMPANY IS PROHIBITED.		DECIMALES .x ±0.50	ANGLES x.' ±1.0'	SIZE: A4	UNITS: mm
		.xx ±0.30	.x' ±0.5'	SCALE:	SHEET: 1 OF 1