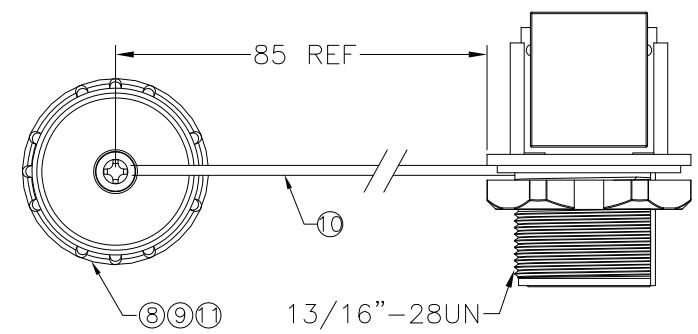
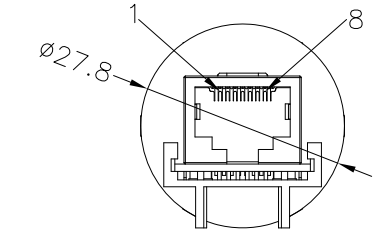
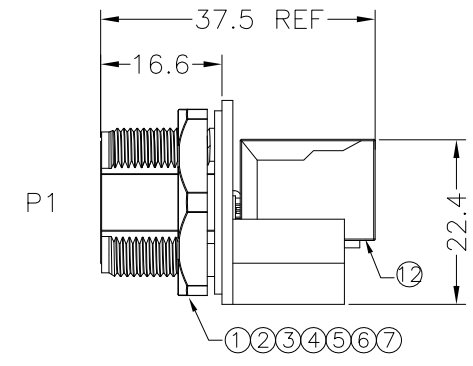
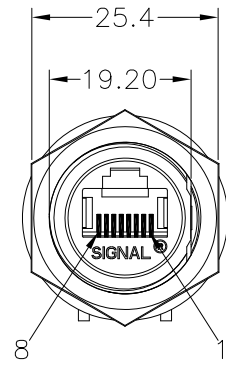
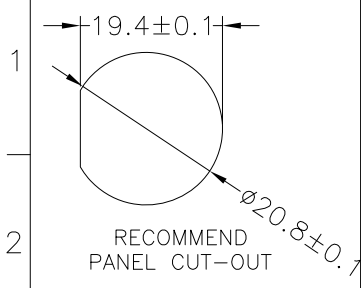


REV	DESCRIPTION	DATE	APPROVED
SO	CREATED DRAWING	2022/06/28	W N



Detailed Product Description:
 Waterproof connector rating is IP67
 They can not be used permanently under water
 Per ISO-20653, IEC60529

Electrical character
 Rating voltage: 125V AC/DC
 Insulation resistance: >100MΩ
 Rating current: 1.5A
 Contact resistance of connector ≤10mΩ
 Mechanical characteristics: mating cycle >100cycles
 Operating temperature: -25°C ~ +85°C

ALL MATERIALS ARE RoHS COMPLIANT

P1	P2
8P8C/F	8P8C/F
1	1
2	2
3	3
4	4
5	5
6	6
7	7
8	8

⑬	GL00031	Structural Glue H-D908 white	2	g
⑫	CN00879	RJ45 8P8C 90°FEMALE, WITH SHIELD SHELL 18.25*15.6*13.2mm	1	PCS
⑪	SW00026	WATERPROOF COVER SCREW M3*6	1	PCS
⑩	OR00138	BLACK CHAIN EPDM 85A ID*OD*T*L=20*25*1.0*100mm	1	PCS
⑨	OR00108	WATERPROOF COVER GASKET EPDM 70° BLACK 12*20.05*3.8mm	1	PCS
⑧	CN00584	BLACK WATERPROOF COVER PA66+GF (SGJ01158)	1	PCS
⑦	WJ00046	GOLD WIRE BRONZE PLATED GOLD PLATED 6u"	8	PCS
⑥	OR00107	GASKET EPDM 70°BLACK 20.20*25.00*0.8 (SGR01013)	1	PCS
⑤	CN00983	RJ45 CASE BACK COVER, BLACK (SGJ01190)	1	PCS
④	CN00981	RJ45 FEMALE CORE, BLACK (SGJ01190)	1	PCS
③	NU00061-1	BLACK NUT 13/16"-28UN PA66(SGJ01154)	1	PCS
②	YDWK0687	RJ45 FEMALE PANEL CONNECTOR, FRONT FASTENED (ABS BLACK)	1	PCS
①	YDPC0019-3	RJ45 8P8C FEMALE PCBA	1	PCS

SIGNAL[®]
 Shenzhen Signal Electronics co.,Ltd

DRAWN BY	DATE
CHECKED BY	DATE
CHECKED BY	DATE
APPROVED BY	DATE

THE INFORMATION CONTAINED IN THIS DRAWING IS THE SOLE PROPERTY OF SIGNAL COMPANY. ANY REPRODUCTION IN PART OR WHOLE WITHOUT THE WRITTEN PERMISSION OF SIGNAL COMPANY IS PROHIBITED.

TITLE		RJ45 8P8C/F TO RJ45 8P8C/F Adapter	
DWG NO	940008-04-004	REV.	
DWG NO	SGNYD2206139-1543		
CUSTOMER			SO
TOLERANCES ARE:	DECIMALES	ANGLES	THIRD ANGLE PROJECTION
	.x ±0.5	x.' ±2.0'	SIZE: A4
	.xx ±0.20	.x' ±1.0'	UNITS: mm
			SCALE: 1:1
			SHEET: 1 OF 1