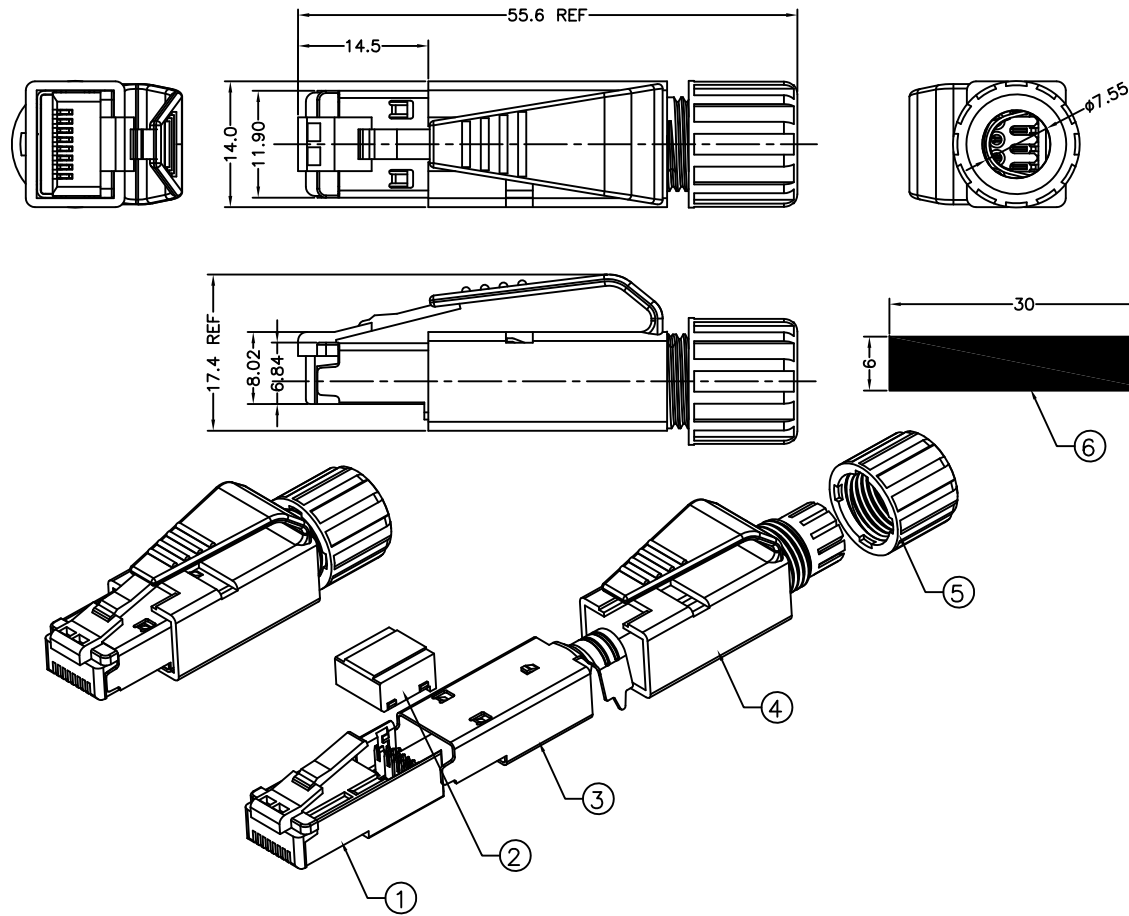



REV	DESCRIPTION	DATE	APPROVED
SO	CREATED DRAWING	2021/11/20	CRB



Detailed Product Description
 Connector electrical characteristics:
 Rating voltage: 30V
 Insulation resistance: >1000MΩ
 Rating current: 0.5A
 Contact resistance of connector ≤30mΩ
 Mechanical characteristics: mating / cycle >750 cycle
 Operating temperature: -20°C ~ +70°C
 Cable OD: 5.0~7.0(mm)
 Wire OD: 0.8~1.0(mm)
 Conductor: 26AWG

*ALL MATERIALS ARE RoHS COMPLIANT.

⑥	N/A	COPPER FOIL TAPE 30mm*6mm	1	PCS
⑤	N/A	NUT, BLACK NYLON	1	PCS
④	N/A	PLASTIC SHEATH, BLACK NYLON	1	PCS
③	N/A	SHIELDING SHELL, SPCC NICKEL PLATED	1	PCS
②	N/A	CORE CLAMP BLOCK. TRANSPARENT PC	1	PCS
①	N/A	8P8C PLUG, YELLOW INSULATOR	1	PCS
ITEM	PART NO.	SPECIFICATION	Q'TY	UNIT

 Shenzhen Signal Electronics co.,Ltd		TITLE	
		RJ45 PLASTIC ASSEMBLED CONNECTOR	
DRAWN BY		DATE	SGN NO
CHECKED BY		DATE	REV.
CHECKED BY		DATE	DWG NO 940008-07-001
APPROVED BY		DATE	CUSTOMER
THE INFORMATION CONTAINED IN THIS DRAWING IS THE SOLE PROPERTY OF SIGNAL COMPANY. ANY REPRODUCTION IN PART OR WHOLE WITHOUT THE WRITTEN PERMISSION OF SIGNAL COMPANY IS PROHIBITED.		TOLERANCES ARE:	THIRD ANGLE PROJECTION
		DECIMALES .x ±0.50	ANGLES x.' ±2.0'
		.xx ±0.20	.x' ±1.0'
		SCALE: 1:1	UNITS: mm
			SHEET:1 OF 1