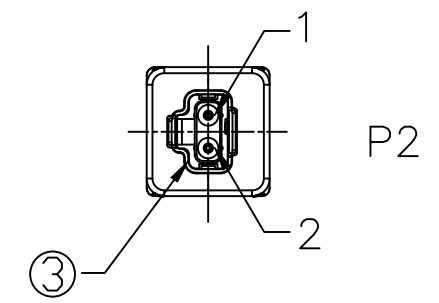
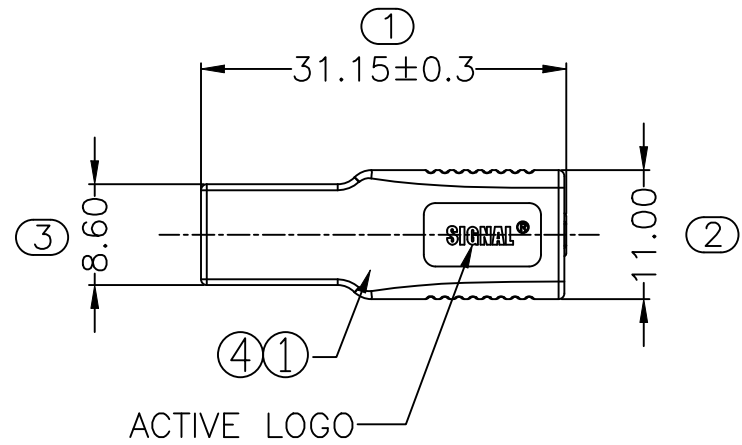
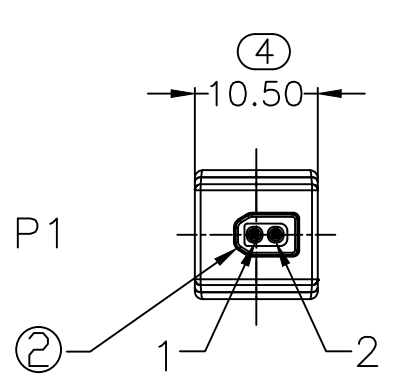
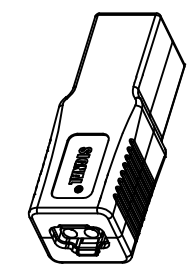
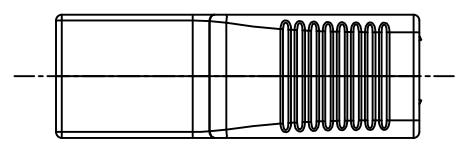


PROJECT NO:
SGNYD2212022

REV	DESCRIPTION	DATE	APPROVED
S0	CREATED DRAWING	2024/04/15	XD



DETAILED PRODUCT DESCRIPTION:
 WATERPROOF CONNECTOR RATING IS IP20
 ELECTRICAL PROPERTIES AT +20°C
 RATING VOLTAGE: 60V/DC
 INSULATION RESISTANCE: >100MΩ
 RATING CURRENT: 4A
 CONTACT RESISTANCE OF CONNECTOR ≤20mΩ
 MECHANICAL CHARACTERISTICS: MATING CYCLE >750 CYCLES
 TRANSFER RATE: 1Gbit/s
 OPERATING TEMPERATURE: -25°C ~ +85°C
 ACCORDING TO IEC 63171-2 AND IEC 63171-6




ALL MATERIALS ARE ROHS COMPLIANT

WIRE LIST

P1	P2
1	1
2	2
SHELL	SHELL

ITEM	PART NO.	SPECIFICATION	Q'TY	UNIT
④	N/A	SPE PCB	1	PCS
③	N/A	SPE PLUG-IN CONNECTOR(IEC 63171-6)	1	PCS
②	N/A	SPE PLUG-IN CONNECTOR(IEC 63171-2)	1	PCS
①	N/A	ALUMINUM ALLOY SHELL, ANODIZED IN ITS NATURAL COLOR	1	SET



SIGNAL[®]
Shenzhen Signal Electronics co.,Ltd

DRAWN BY		DATE		TITLE	
CHECKED BY		DATE		SGN NO	
APPROVED BY		DATE		SGNYD2212022-2	
				REV.	
				S0	
				CUSTOMER	
				DWG NO	
				TOLERANCES ARE:	
				DECIMALES	
				ANGLES	
				THIRD ANGLE PROJECTION	
				SIZE: A4	
				UNITS: mm	
				SCALE: 1:1	
				SHEET: 1 OF 1	

THE INFORMATION CONTAINED IN THIS DRAWING IS THE SOLE PROPERTY OF SIGNAL COMPANY. ANY REPRODUCTION IN PART OR WHOLE WITHOUT THE WRITTEN PERMISSION OF SIGNAL COMPANY IS PROHIBITED.